

**eduard**



**STŘÍBRNÉ ŠÍPY**

**1/72**

**INSTRUCTION SHEET**

2134\_NAV1



Carefully read instruction sheet before assembling. When you use glue or paint, do not use near open flame and use in well ventilated room. Keep out of reach of small children. Children must not be allowed to suck any part, or pull vinyl bag over the head.



Před započatím stavby si pečlivě prostudujte stavební návod. Při používání barev a lepidel pracujte v dobře větrané místnosti. Lepidla ani barvy nepoužívejte v blízkosti otevřeného ohně. Model není určen malým dětem, mohlo by dojít k požití drobných dílů.

## INSTRUCTION SIGNS

## \* INSTR. SYMBOLS

## \* INSTRUKTION SINNBILDEN

## \* SYMBOLES

## \* 記号の説明

OPTIONAL  
VOLBABEND  
OHNOUTSAND  
BROUSITOPEN HOLE  
VYVRTAT OTVORSYMETRICAL ASSEMBLY  
SYMETRICKÁ MONTÁŽREMOVE  
ODŘÍZNOUTREVERSE SIDE  
OTOČITAPPLY EDUARD MASK  
AND PAINT  
POUŽIT EDUARD MASK  
NABARVIT

## PARTS



## DÍLY



## TEILE

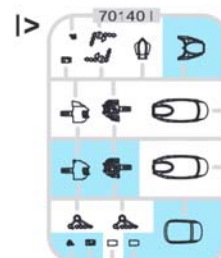
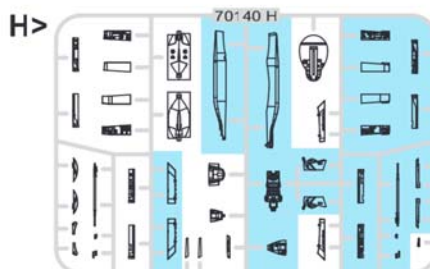
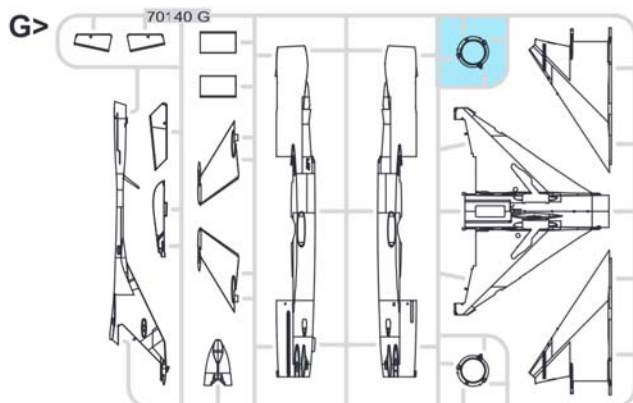
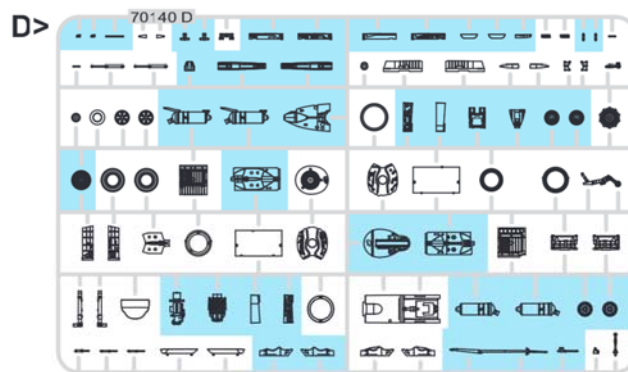
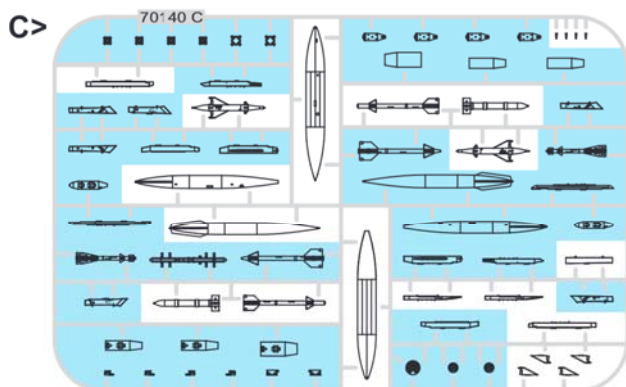


## PIÈCES



## 部品

## PLASTIC PARTS



## RP - RESIN PARTS



R21



R24

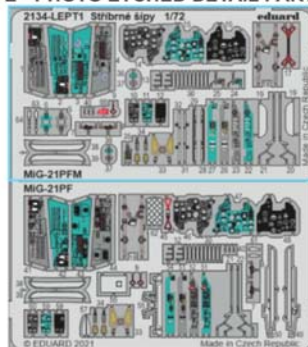


R25



R64

## PE - PHOTO ETCHED DETAIL PARTS



-Parts not for use. -Teile werden nicht verwendet. -Pièces à ne pas utiliser. -Tyto díly nepoužívejte při stavbě. - 使用しない部品

## COLOURS



## BARVY



## FARBEN



## PEINTURE

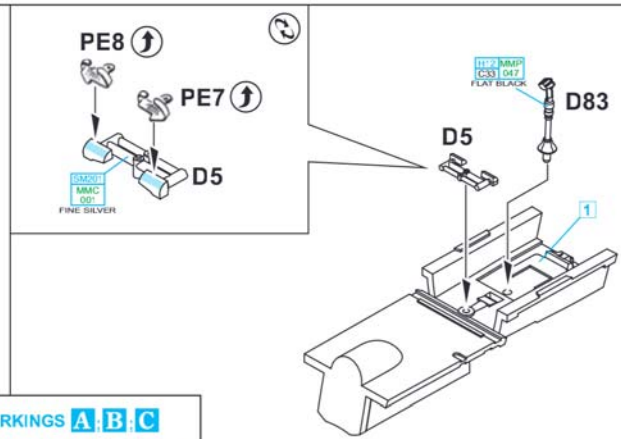
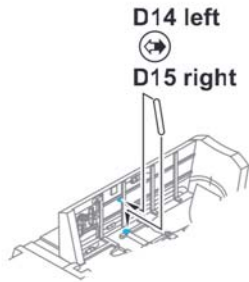
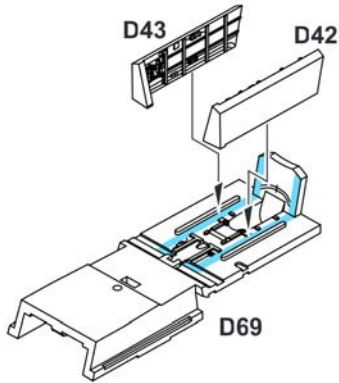


## 色

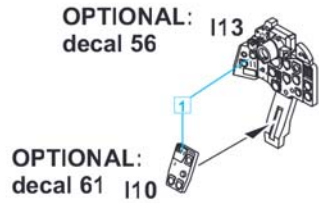
GSI Creos (GUNZE)		MISSION MODELS	
AQUEOUS	Mr.COLOR	PAINTS	
H1	C1	MMP-001	WHITE
H2	C2	MMP-047	BLACK
H3	C3	MMP-003	RED
H4	C4	MMP-007	YELLOW
H5	C5	MMP-048	BLUE
H1*	C62	MMP-001	FLAT WHITE
H2	C33	MMP-047	FLAT BLACK
H2b	C66		BRIGHT GREEN
H5*	C11	MMP-063	LIGHT GULL GRAY
H53	C13		NEUTRAL GRAY
H77	C37	MMP-040	TIRE BLACK
H81	C55	MMP-023	KHAKI
H84	C42		MAHOGANY
H90	C47		CLEAR RED
H94	C38		CLEAR GREEN

GSI Creos (GUNZE)		MISSION MODELS	
AQUEOUS	Mr.COLOR	PAINTS	
H305	C305	MMP-084	GRAY
H321	C321	MMP-086	LIGHT BROWN
H332	C332		LIGHT AIRCRAFT GRAY
H337	C337		GRAYISH BLUE
	C8		SILVER
	C60		GRAY
	C312		GREEN
	C391		INTERIOR TURQUOISE GREEN
Mr.METAL COLOR		METALLICS	
MC213		MMM-006	STEEL
MC214		MMM-001	DARK IRON
MC218		MMM-003	ALUMINIUM
Mr.COLOR SUPER METALLIC		METALLICS	
SM201		MMC-001	SUPER FINE SILVER

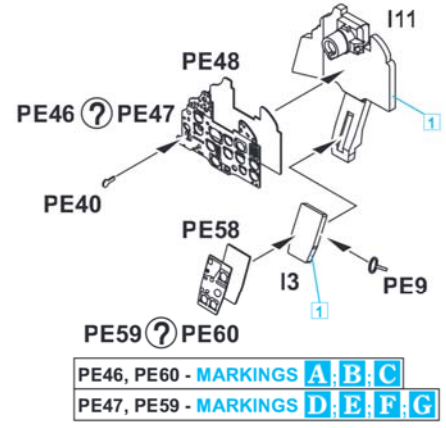
# MiG-21PF



**1** = - MARKINGS **A,B,C**  
 - MARKINGS **D,E,F,G**

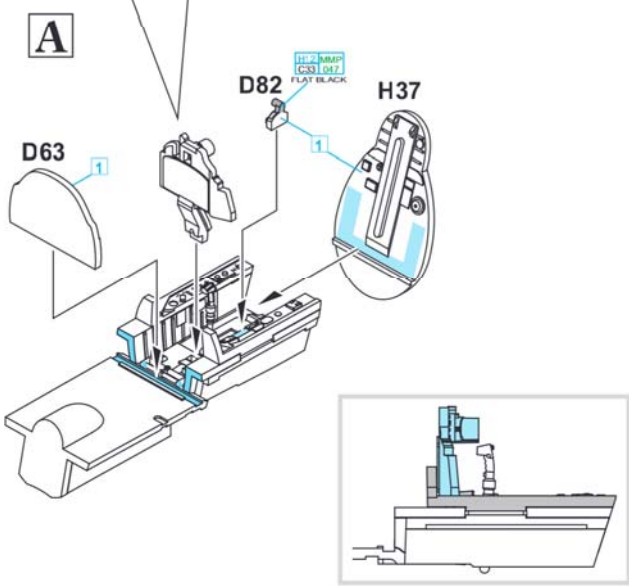
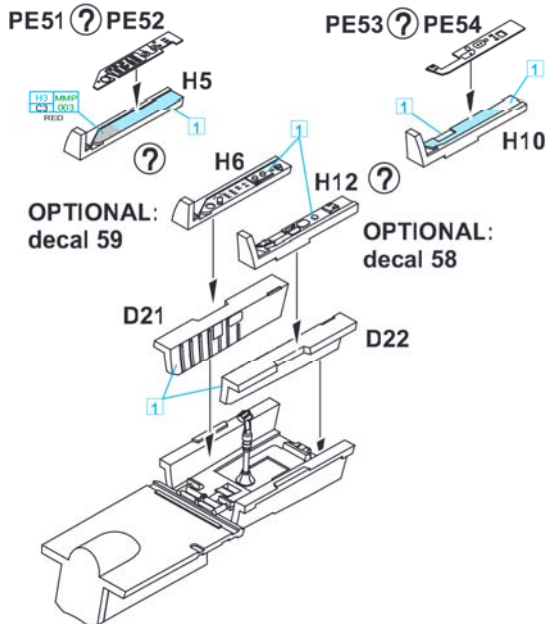


?



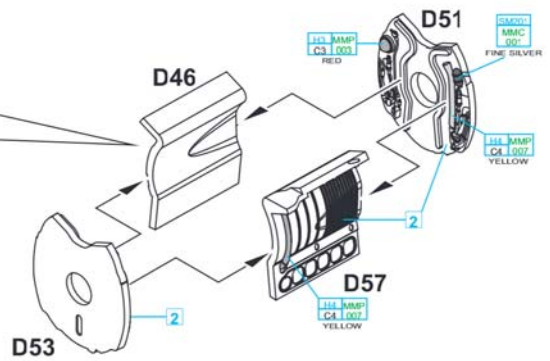
PE51, PE54 - MARKINGS **D,E,F,G**  
 PE52, PE53 - MARKINGS **A,B,C**

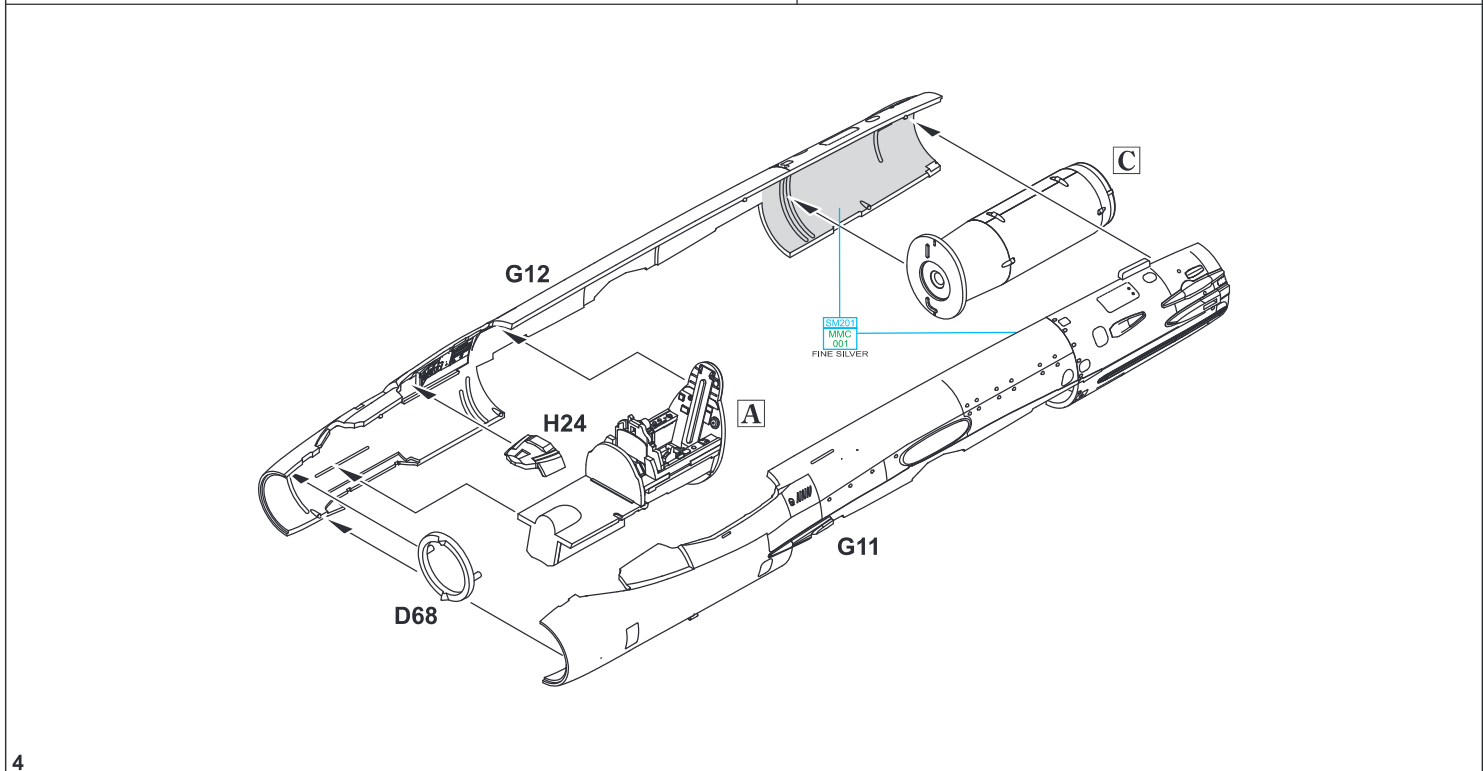
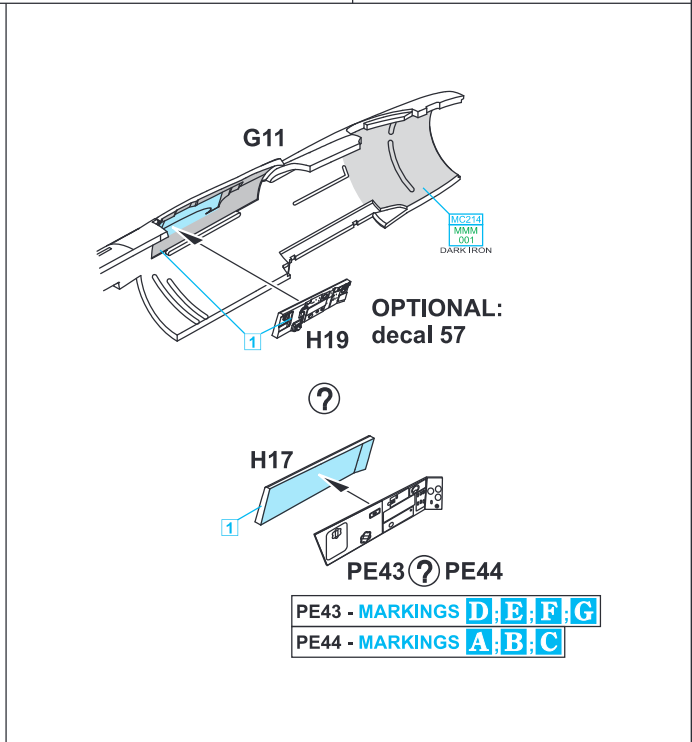
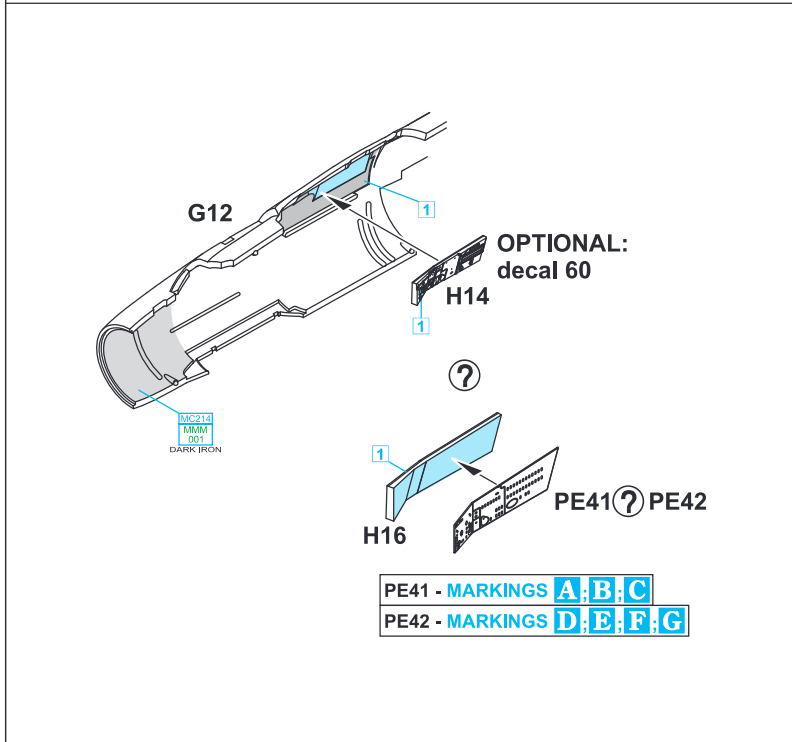
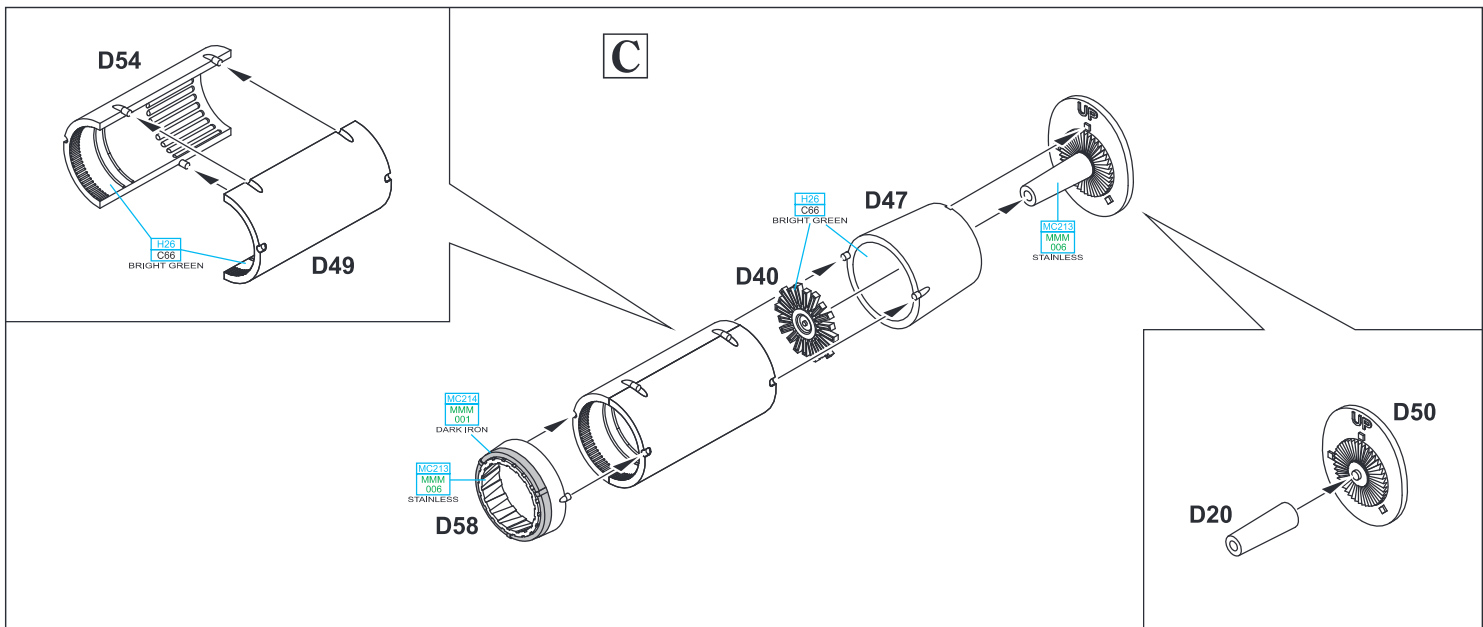
PE46, PE60 - MARKINGS **A,B,C**  
 PE47, PE59 - MARKINGS **D,E,F,G**

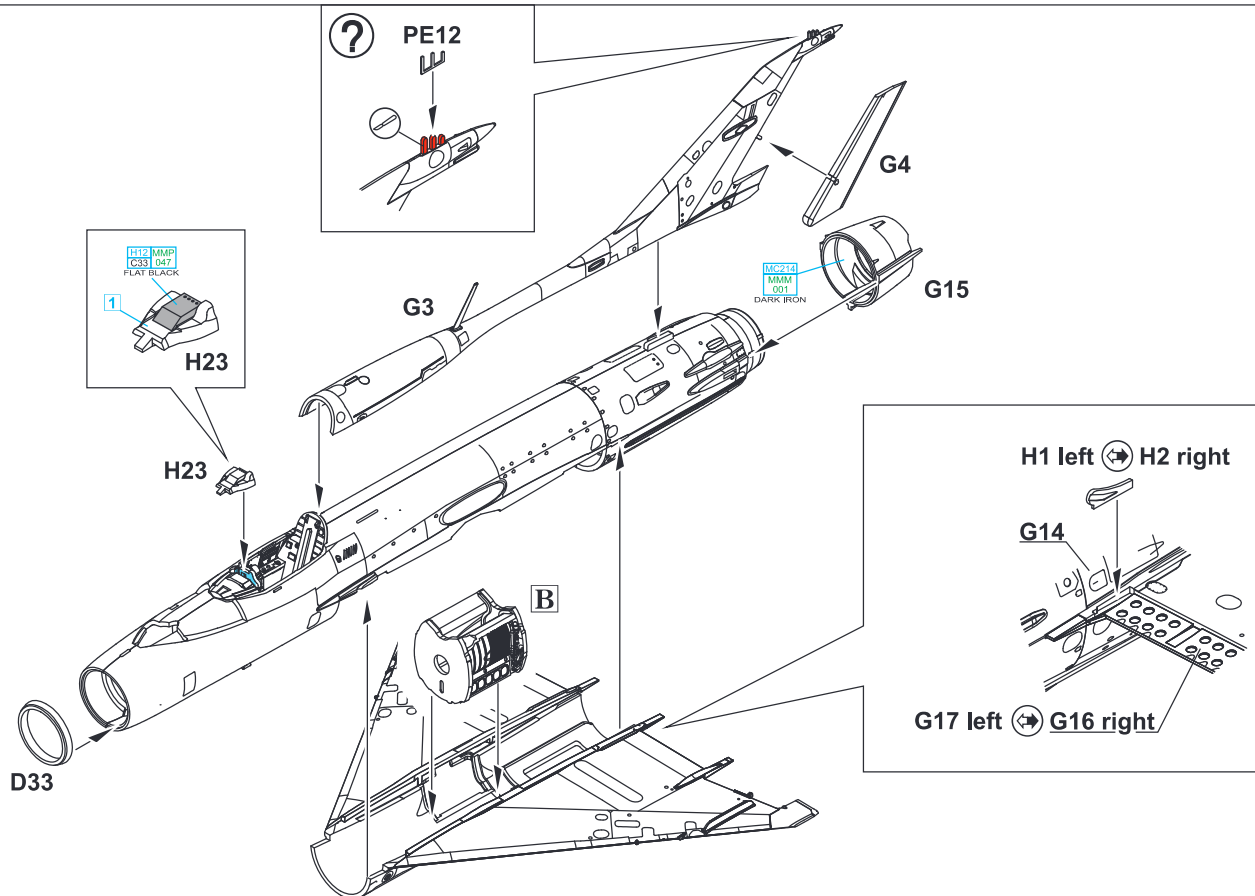
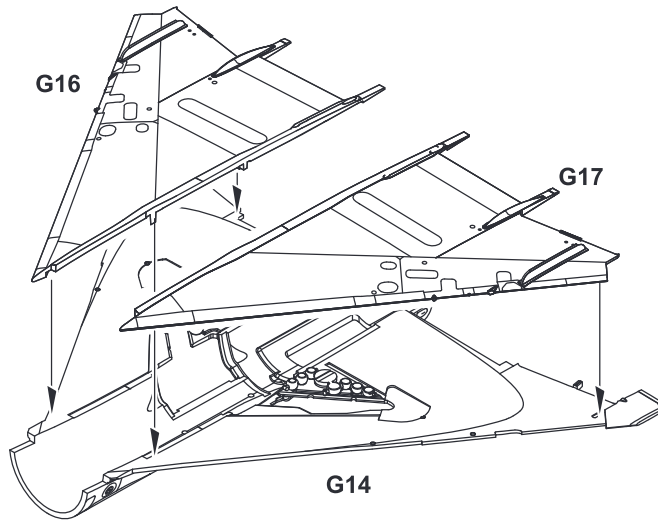
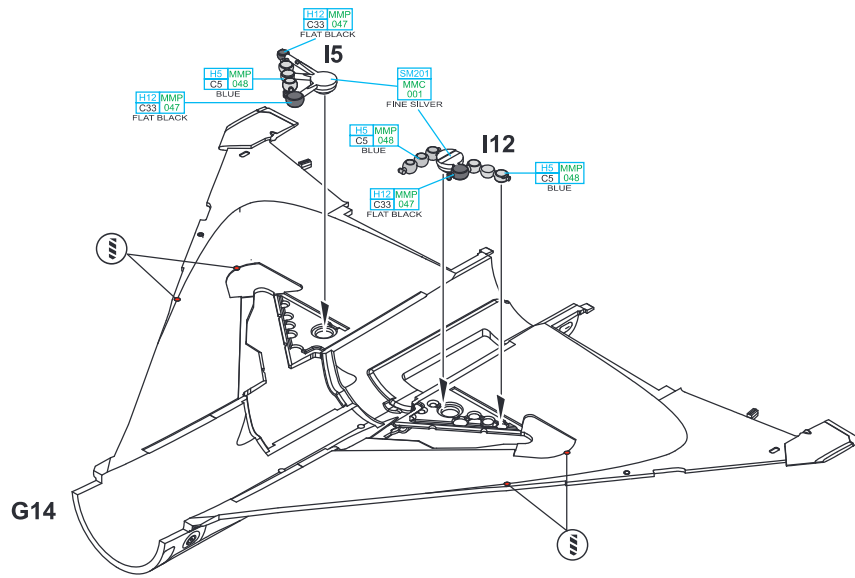


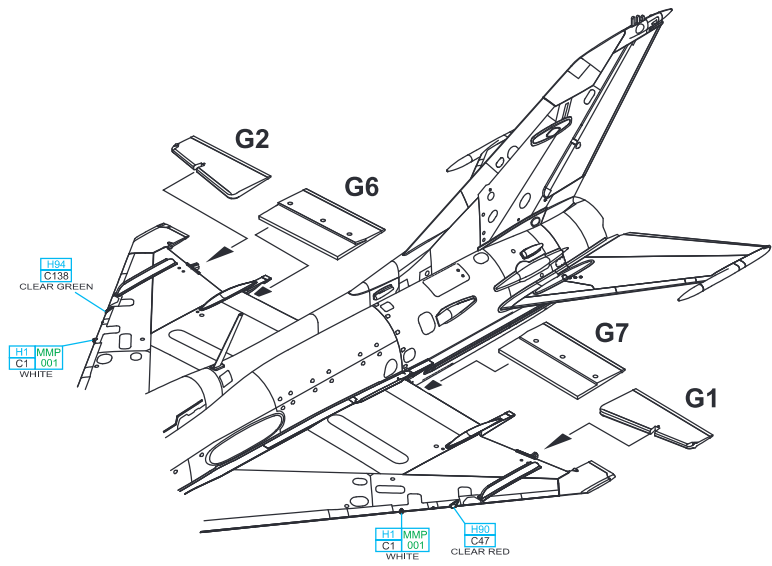
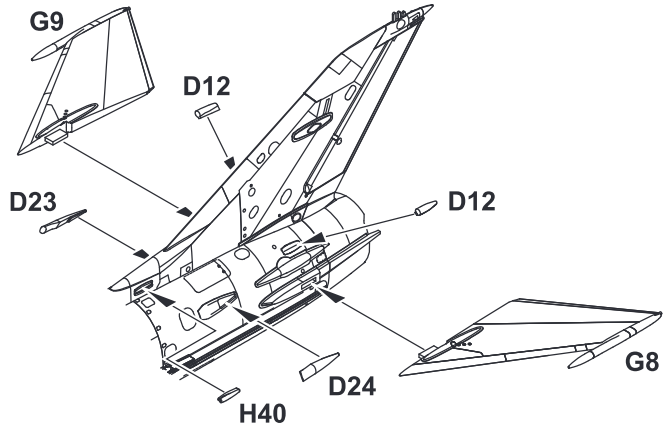
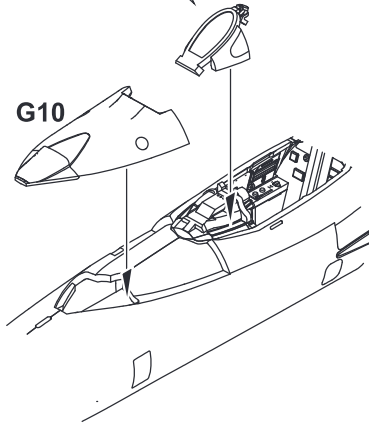
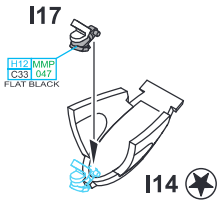
**2** = - MARKINGS **A,B,C**  
 - MARKING **G**  
 - MARKINGS **D,E,F**

**B**

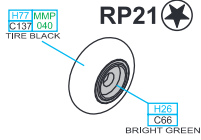




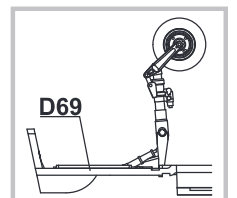
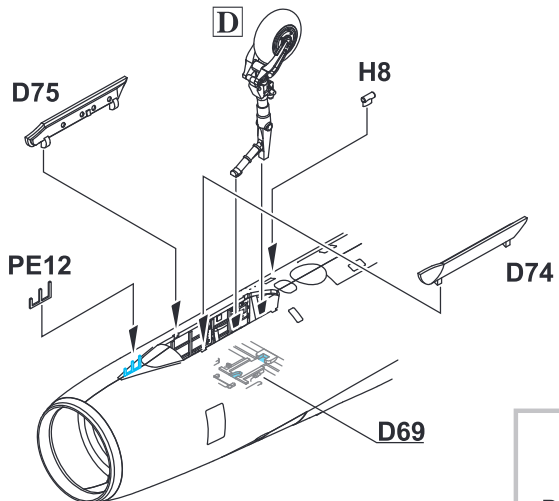
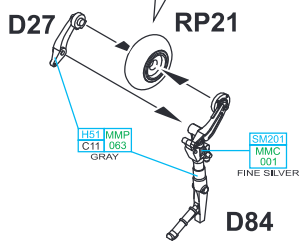


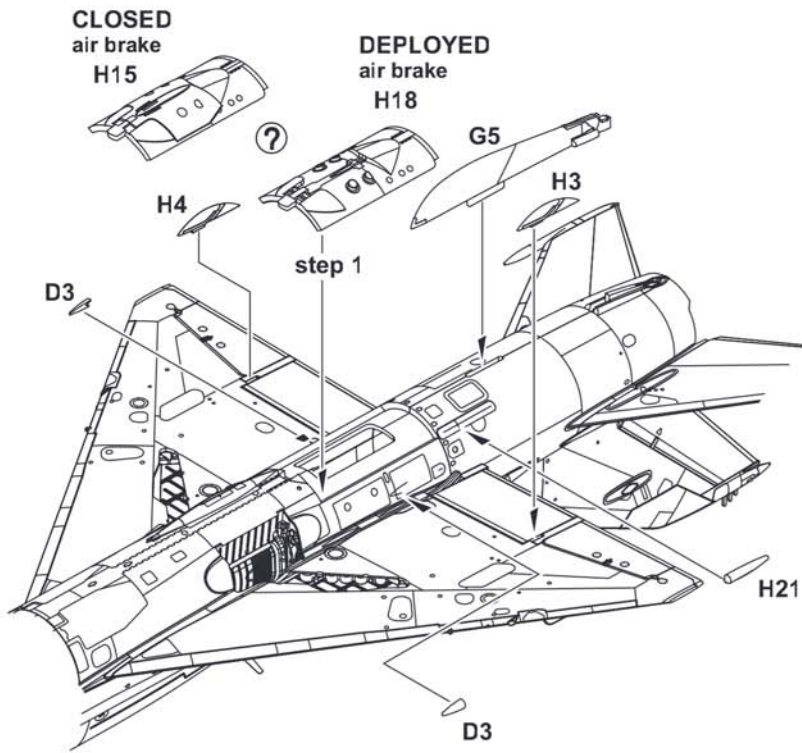


eduard  
BRASSIN



D

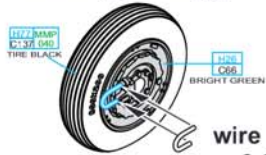




**eduard**  
**BRASSIN**

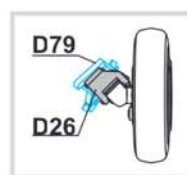
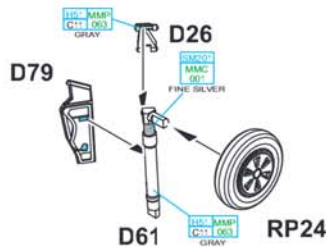


RP24 ↔ RP25

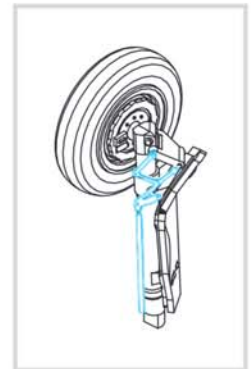
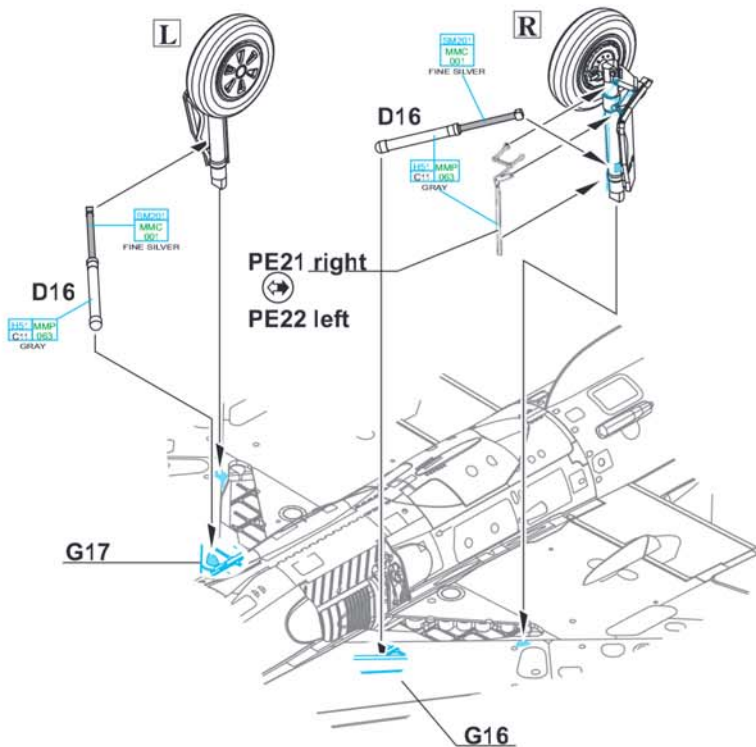
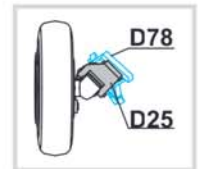
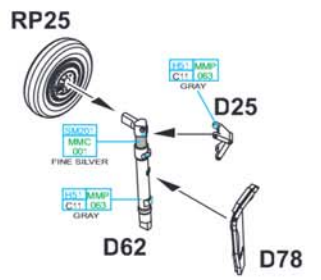


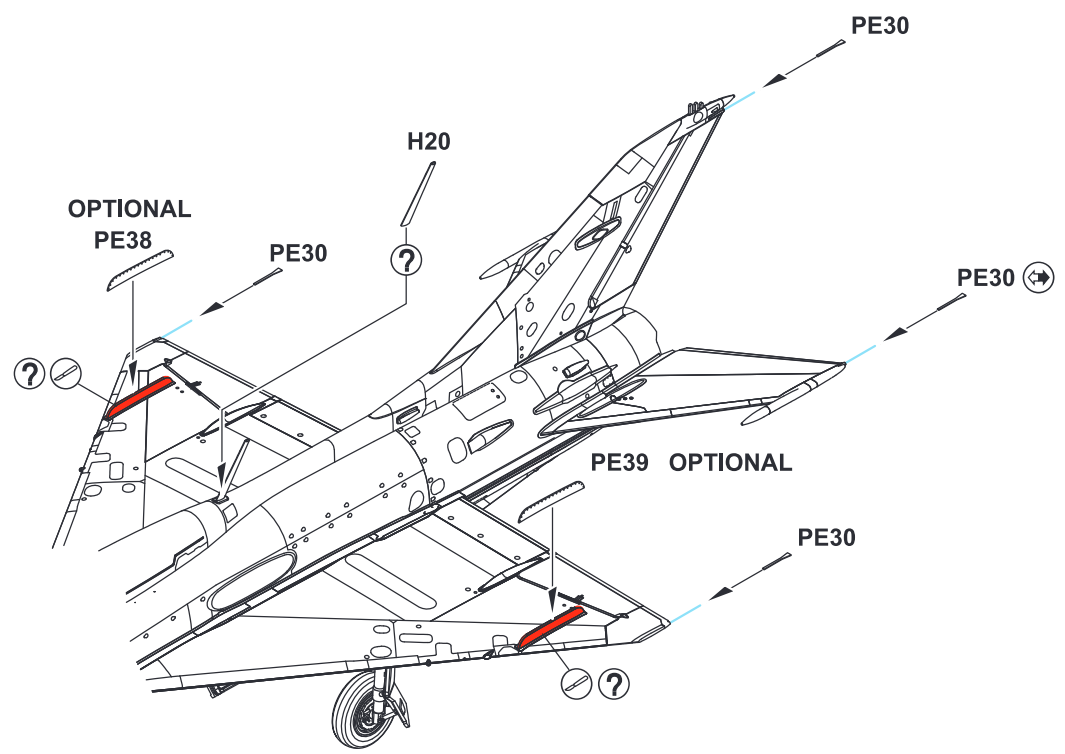
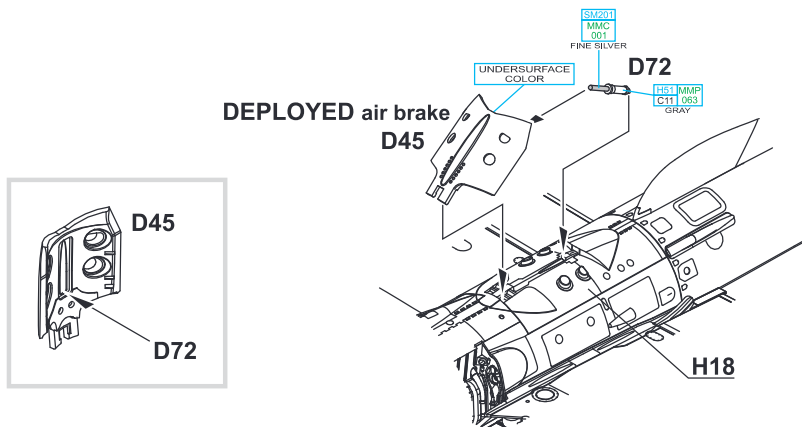
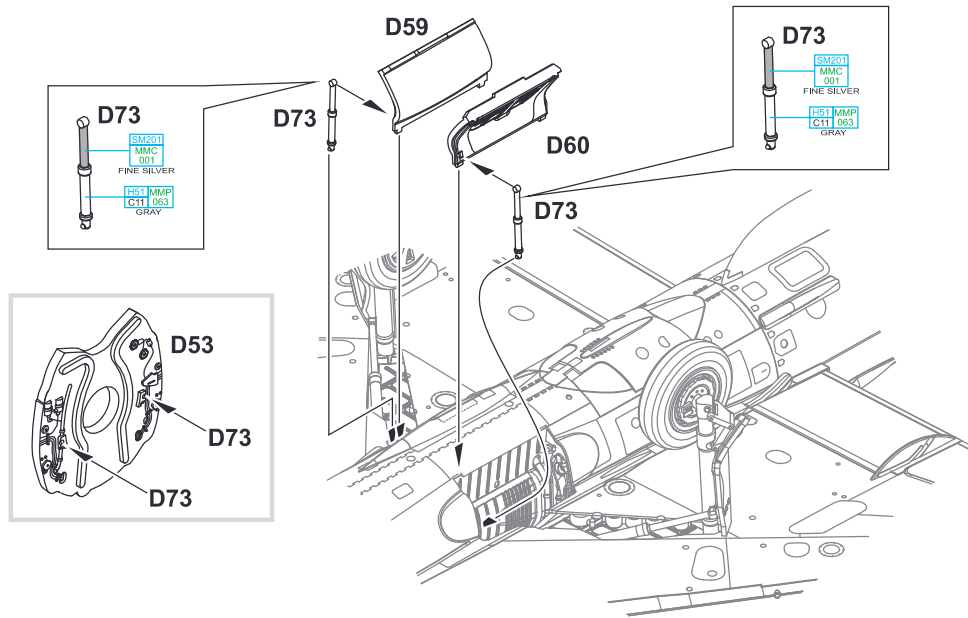
wire  
Ø - 0,3mm  
l - 4,14mm

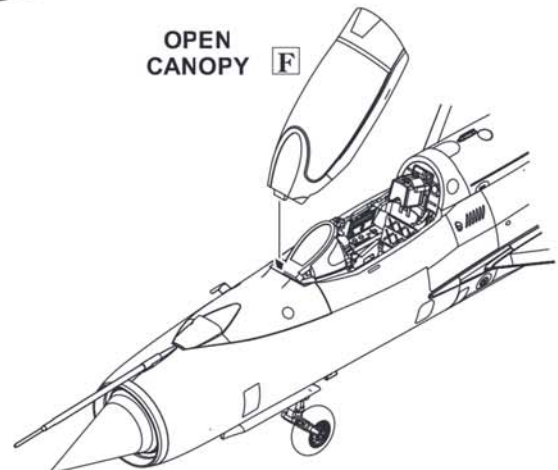
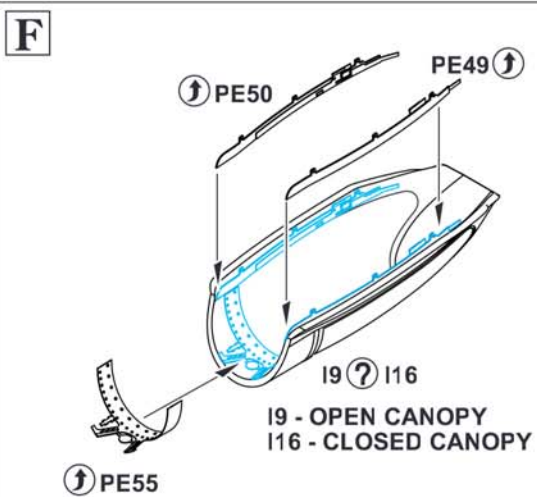
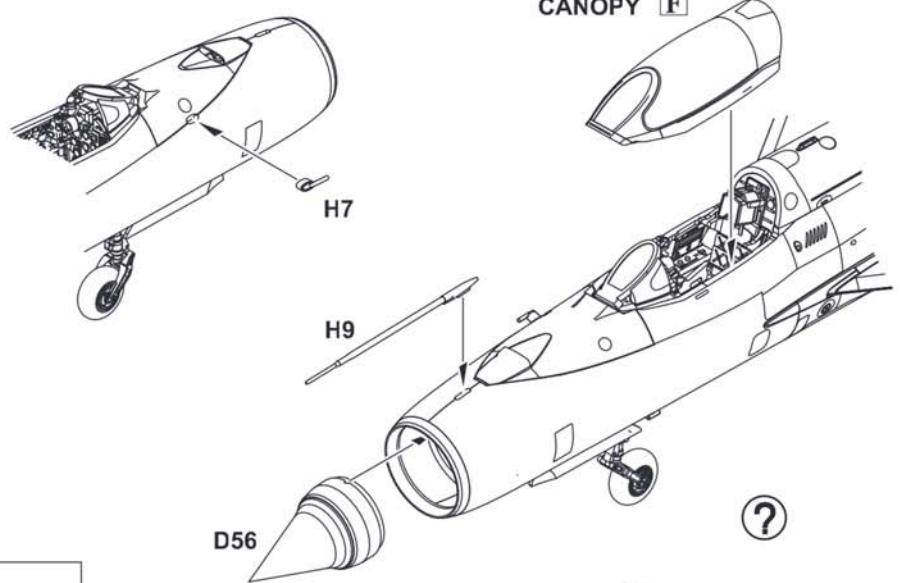
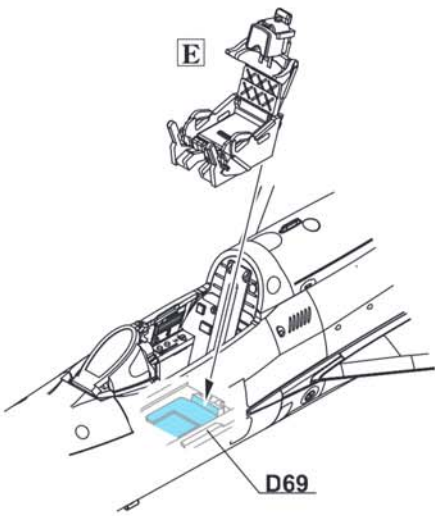
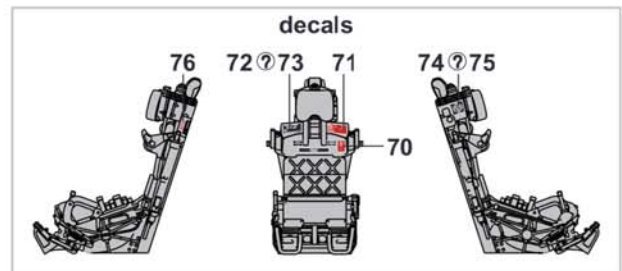
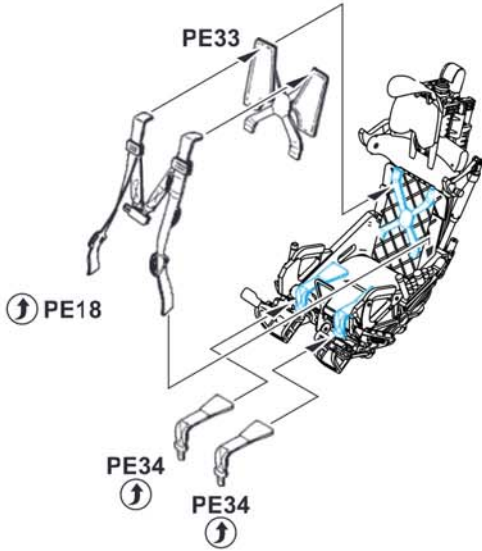
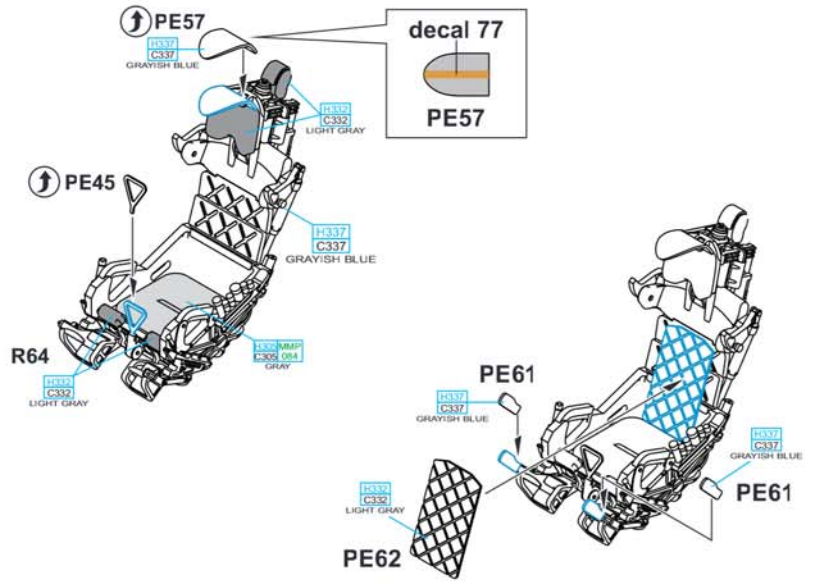
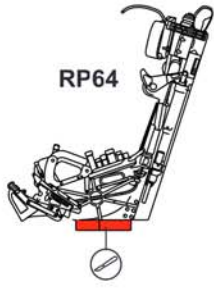
**L**



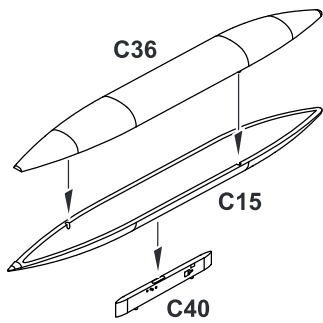
**R**



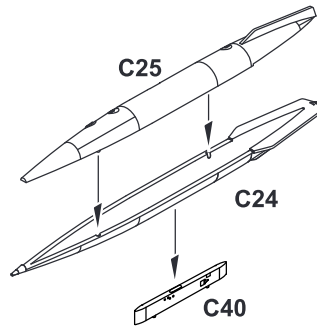




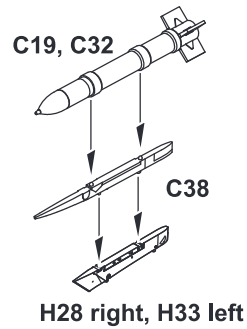
**EXTERNAL FUEL TANK 800 I  
PŘÍDAVNÁ NÁDRŽ 800 I**



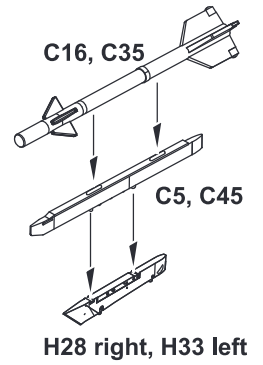
**EXTERNAL FUEL TANK 490 I  
PŘÍDAVNÁ NÁDRŽ 490 I**



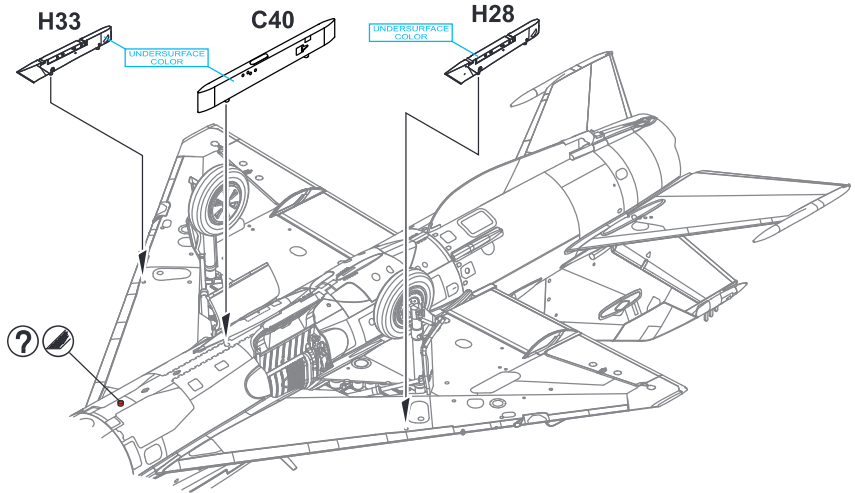
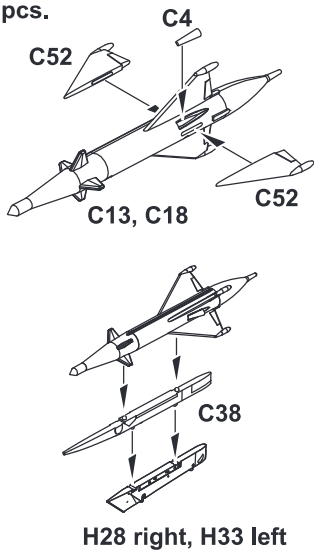
**S-24  
2 pcs.**



**R-3S  
2 pcs.**

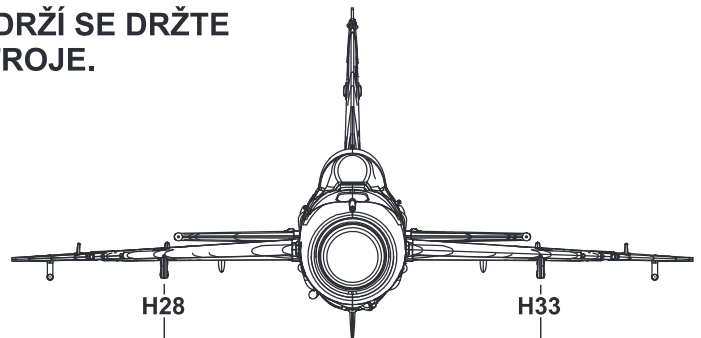


**RS-2US  
2 pcs.**



**TO CHOOSE WEAPON AND EXTERNAL FUEL TANK  
OPTION PLEASE FOLLOW YOUR REFERENCE.**

**PRO VOLBU VÝZBROJE A PŘÍDAVNÝCH NÁDRŽÍ SE DRŽTE  
DOKUMENTACE KONKRÉTNÍHO STROJE.**



**EXTERNAL  
FUEL  
TANK 800 I**

|| C40



**EXTERNAL  
FUEL  
TANK 490 I**

|| C40



**2x RS-2US**

|| C38



|| C38



**2x R-3S**

|| C5



|| C45



**2x S-24**

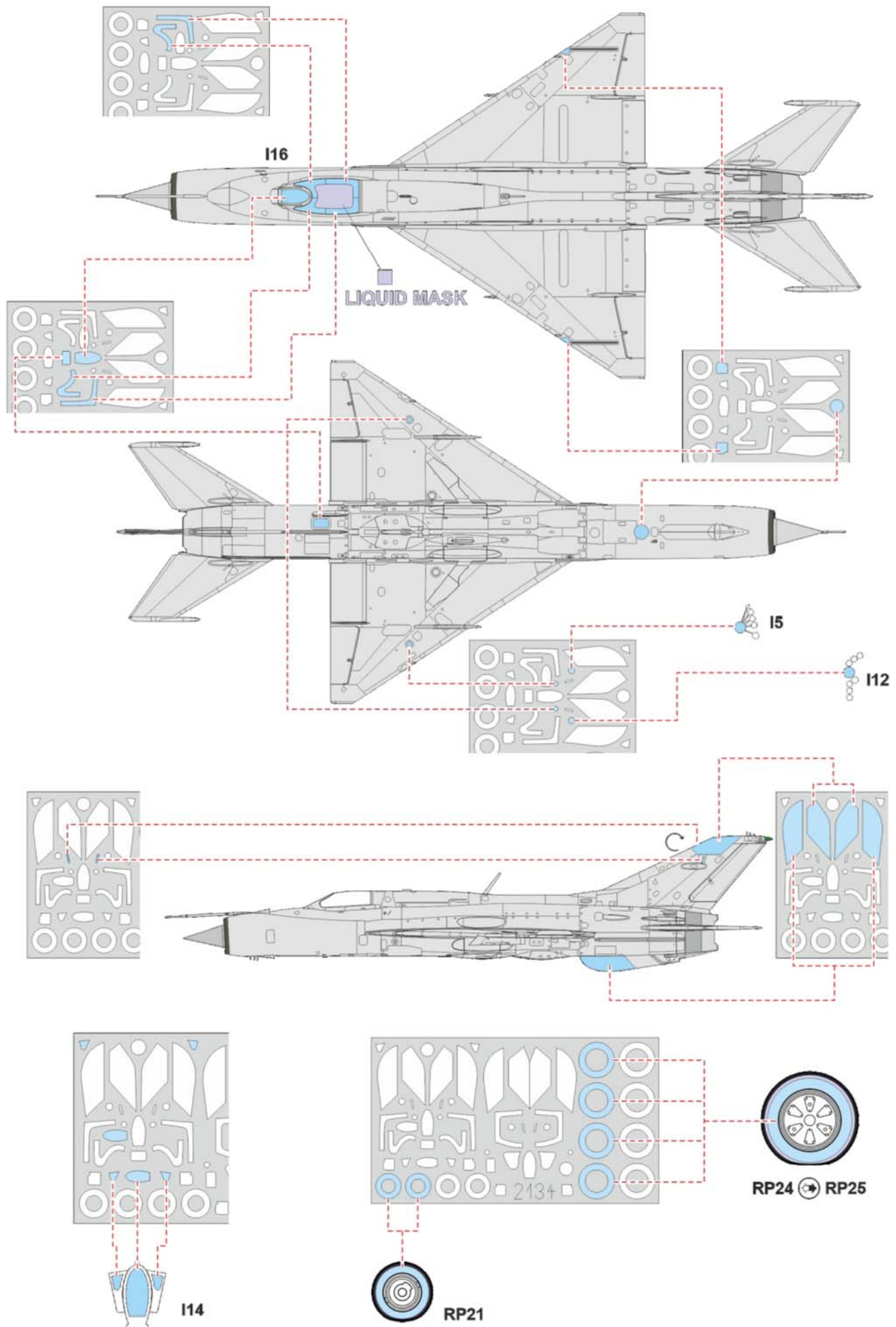
|| C38



|| C38



# MiG-21PF





Carefully read instruction sheet before assembling. When you use glue or paint, do not use near open flame and use in well ventilated room. Keep out of reach of small children. Children must not be allowed to suck any part, or pull vinyl bag over the head.



Před započatím stavby si pečlivě prostudujte stavební návod. Při používání barev a lepidel pracujte v dobře větrané místnosti. Lepidla ani barvy nepoužívejte v blízkosti otevřeného ohně. Model není určen malým dětem, mohlo by dojít k požití drobných dílů.

INSTRUCTION SIGNS \* INSTR. SYMBOLS \* INSTRUKTION SINNBILDEN \* SYMBOLES \* 記号の説明

-   
 OPTIONAL  
VOLBA
-   
 BEND  
OHNOUT
-   
 SAND  
BROUSIT
-   
 OPEN HOLE  
VYVRTAT OTVOR
-   
 SYMETRICAL ASSEMBLY  
SYMETRICKÁ MONTÁŽ
-   
 REMOVE  
ODŘÍZNOUT
-   
 REVERSE SIDE  
OTOČIT
-   
 APPLY EDUARD MASK  
AND PAINT  
POUŽIT EDUARD MASK  
NABARVIT

PARTS

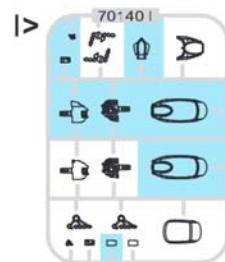
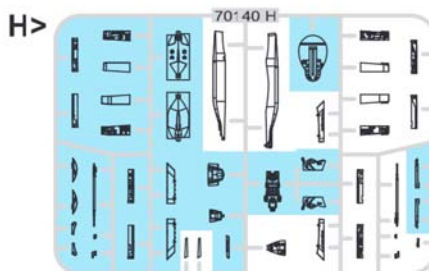
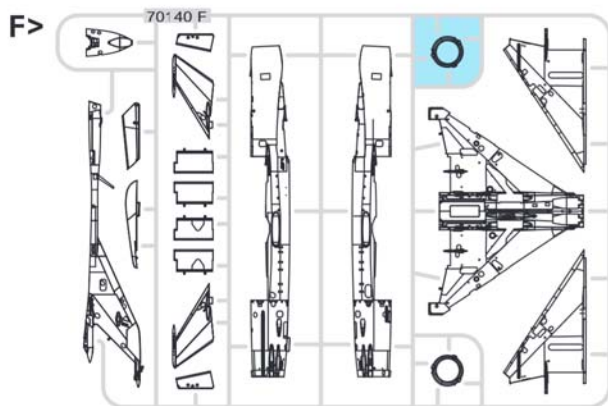
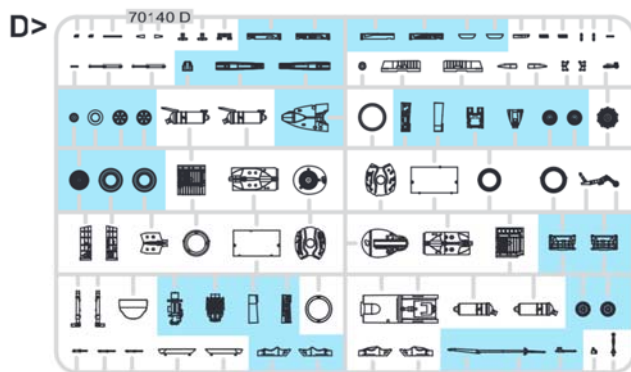
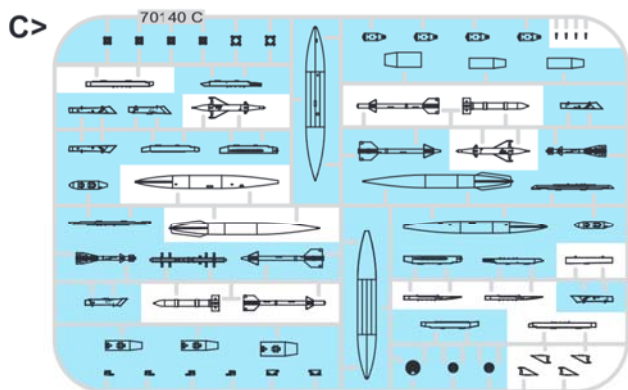
DÍLY

TEILE

PIÈCES

部品

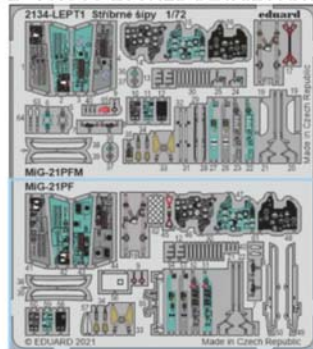
PLASTIC PARTS



RP - RESIN PARTS



PE - PHOTO ETCHED DETAIL PARTS



-Parts not for use. -Teile werden nicht verwendet. -Pièces à ne pas utiliser. -Tyto díly nepoužívejte při stavbě. - 使用しない部品

COLOURS



BARVY



FARBEN



PEINTURE

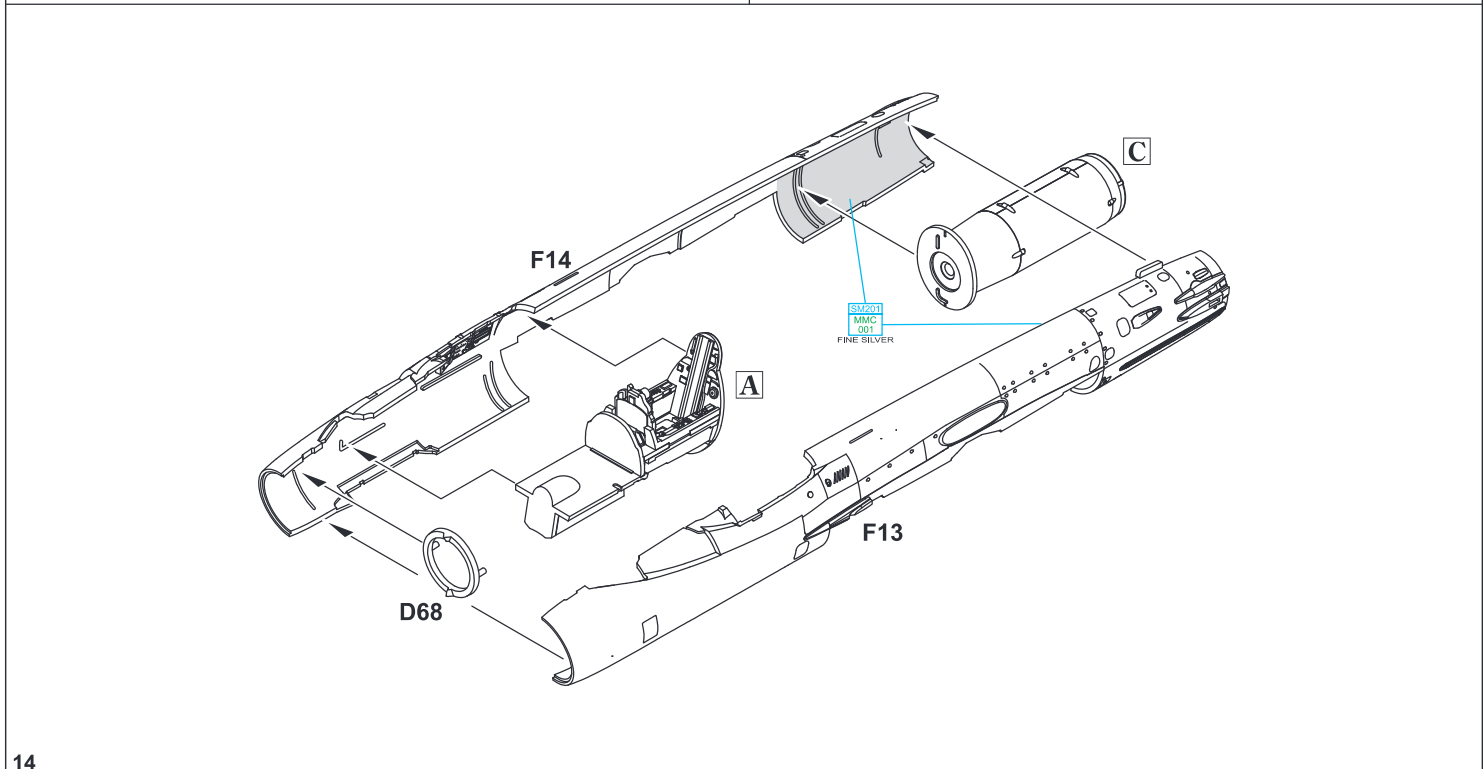
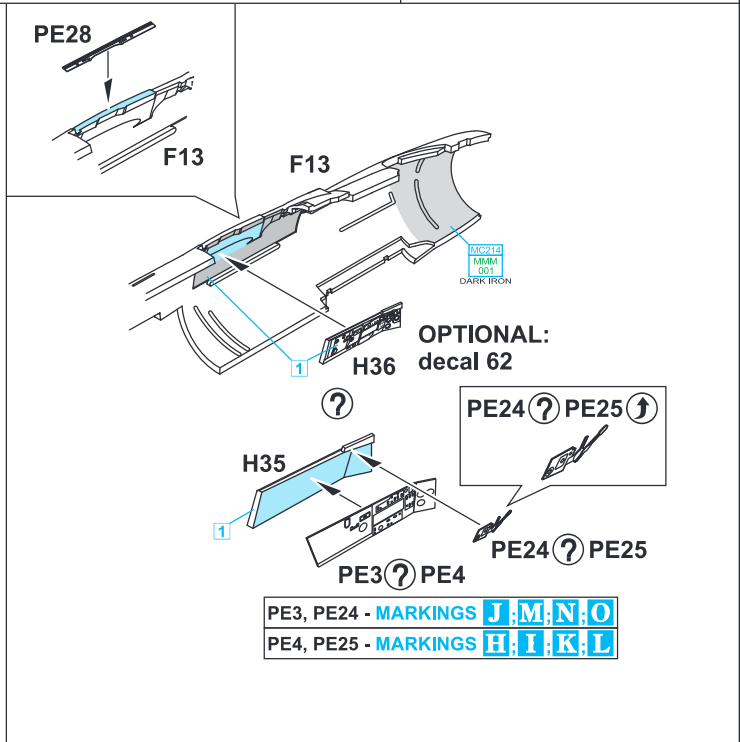
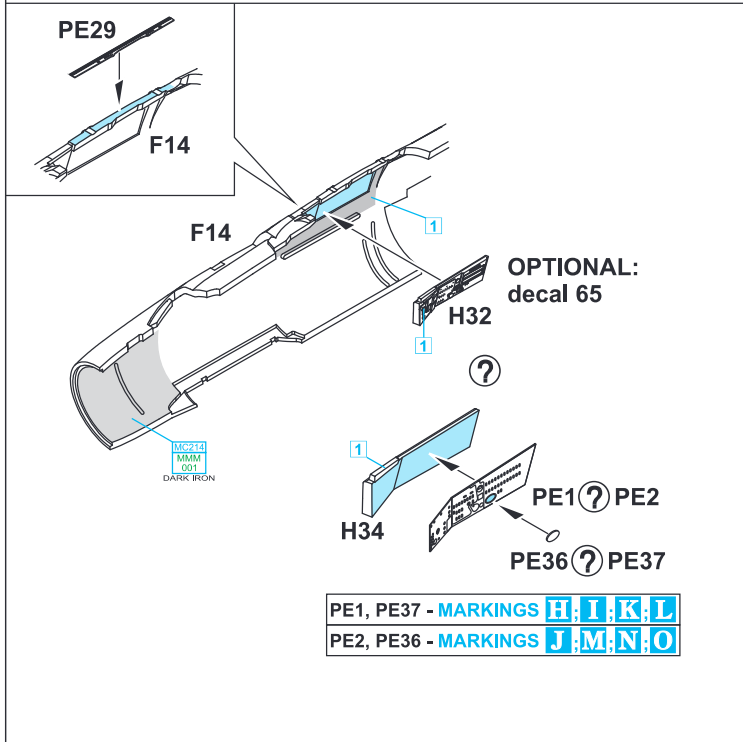
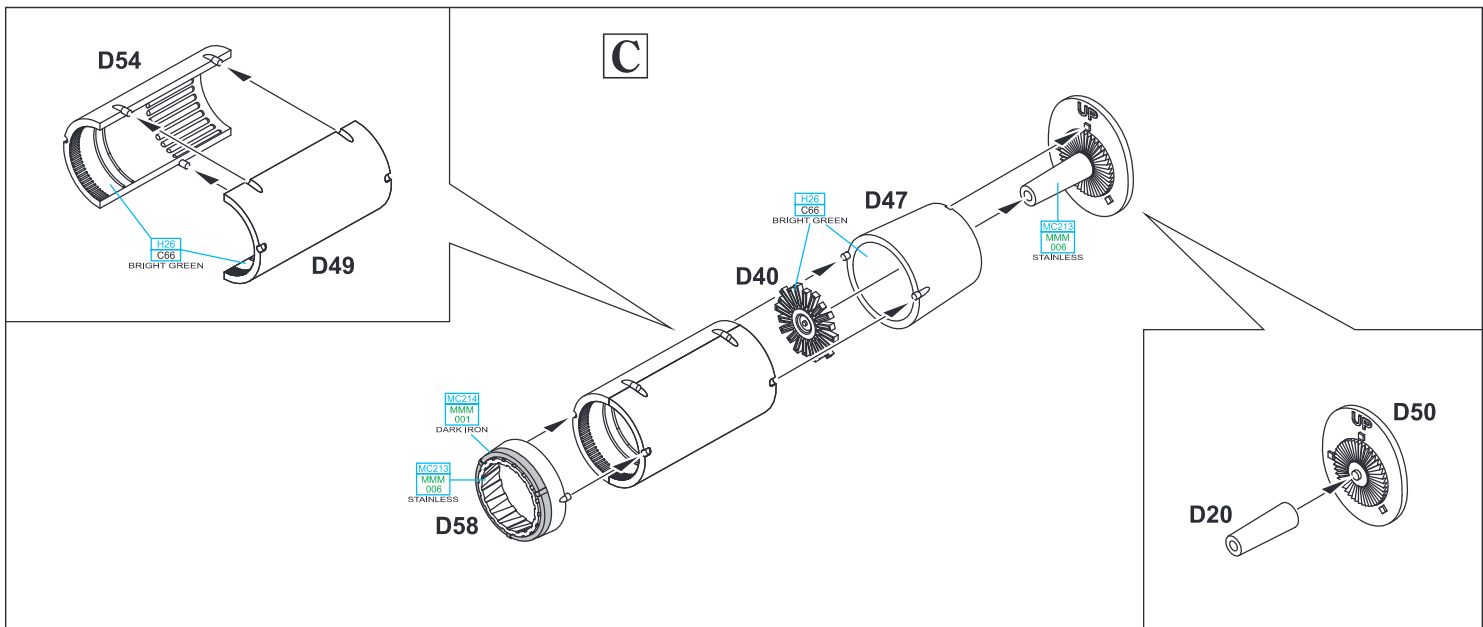


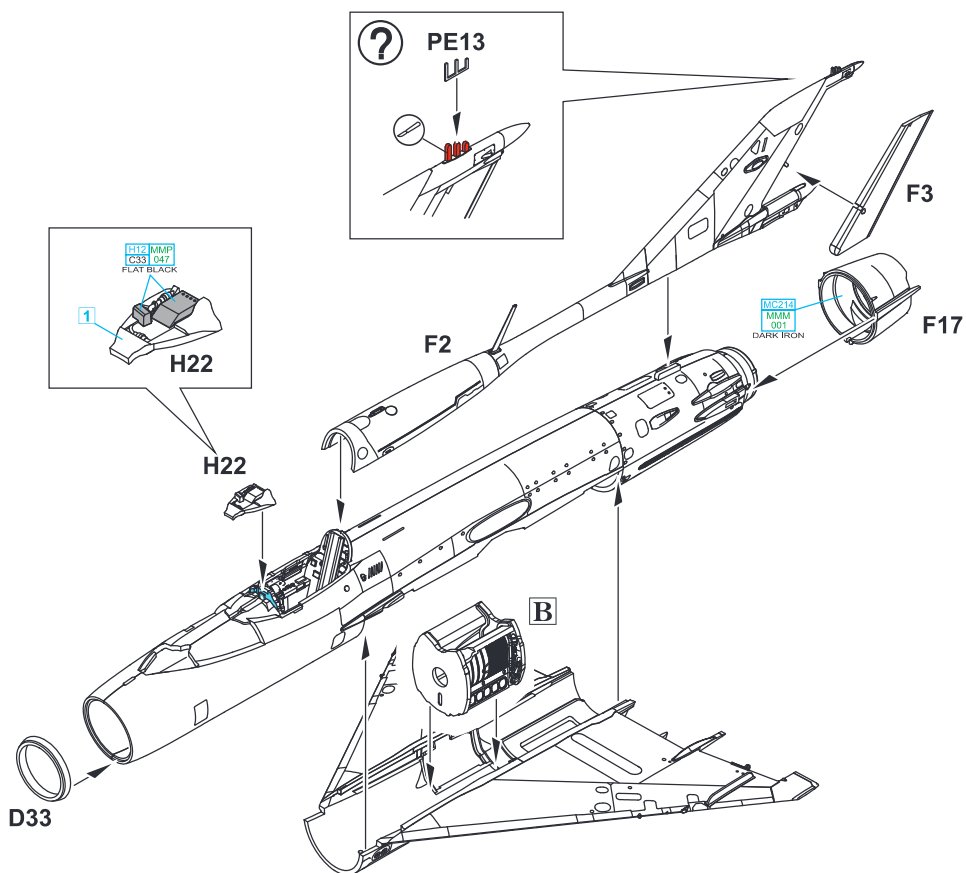
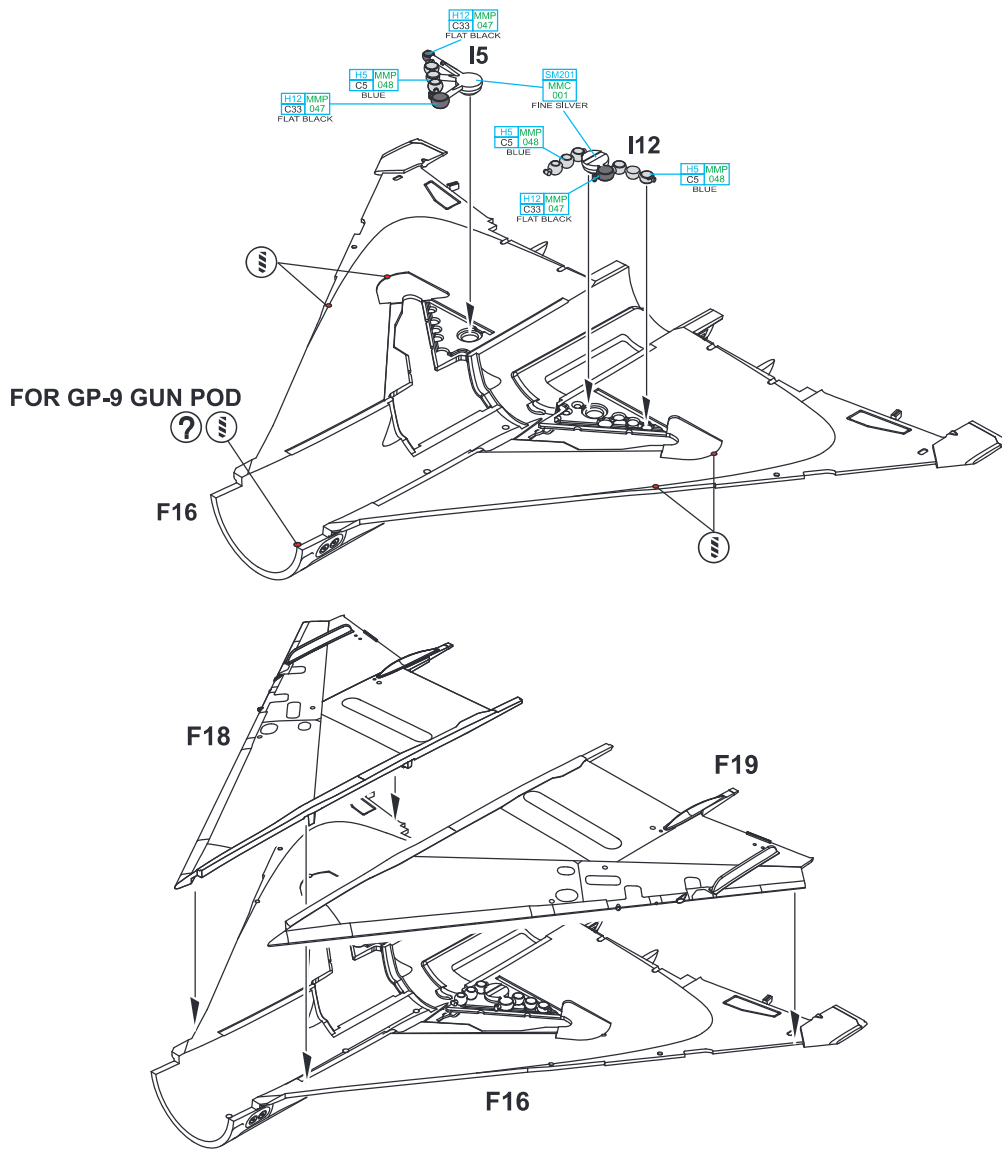
色

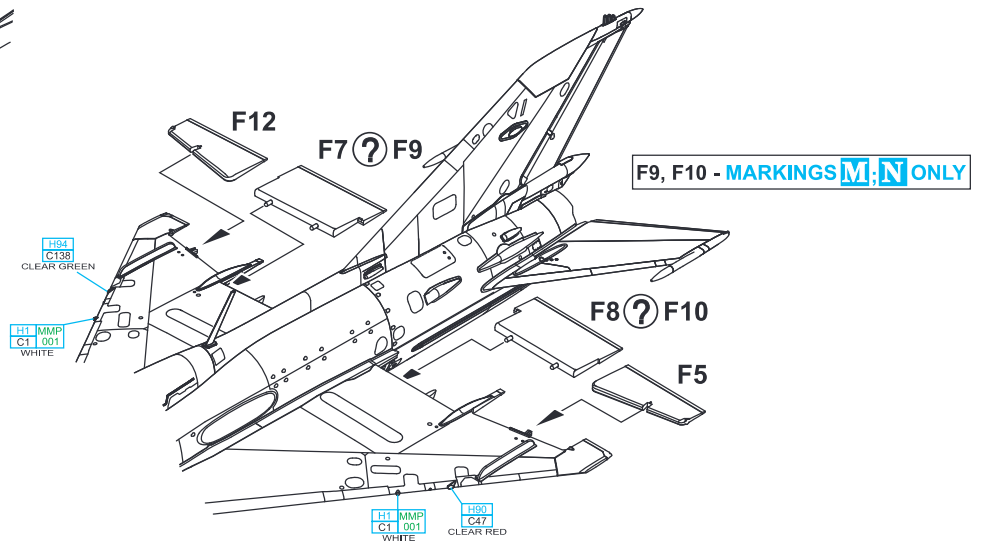
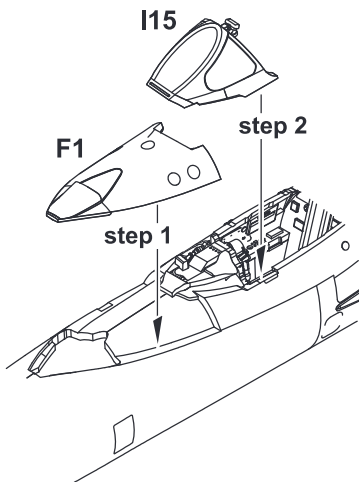
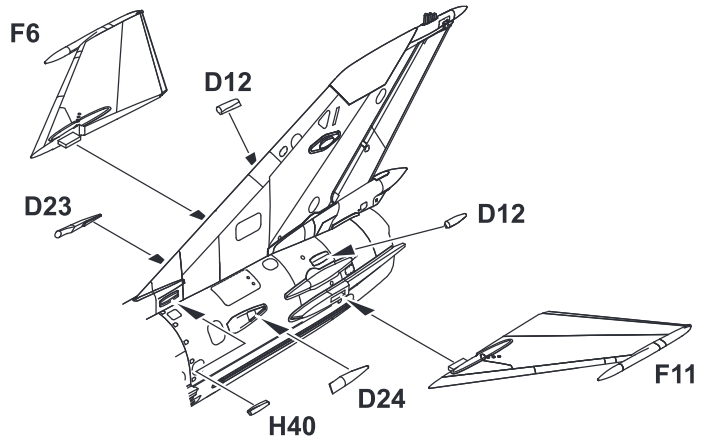
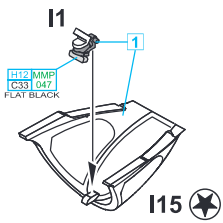
GSI Creos (GUNZE)		MISSION MODELS	
AQUEOUS	Mr.COLOR	PAINTS	
H1	C1	MMP-001	WHITE
H3	C3	MMP-003	RED
H4	C4	MMP-007	YELLOW
H5	C5	MMP-048	BLUE
H11	C62	MMP-001	FLAT WHITE
H12	C33	MMP-047	FLAT BLACK
H15	C85		BRIGHT BLUE
H23	C79		SHINE RED
H26	C66		BRIGHT GREEN
H51	C11	MMP-063	LIGHT GULL GRAY
H53	C13		NEUTRAL GRAY
H77	C137	MMP-040	TIRE BLACK
H81	C55	MMP-023	KHAKI
H84	C42		MAHOGANY
H85	C45		SAIL COLORD

GSI Creos (GUNZE)		MISSION MODELS	
AQUEOUS	Mr.COLOR	PAINTS	
H90	C47		CLEAR RED
H94	C138		CLEAR GREEN
H308	C308	MMP-073	GRAY
H314	C314		BLUE
H321	C321	MMP-088	LIGHT BROWN
	C8		SILVER
	C60		GRAY
	C312		GREEN
	C391		INTERIOR TURQUOISE GREEN
Mr.METAL COLOR		METALLICS	
MC213		MMM-006	STEEL
MC214		MMM-001	DARK IRON
MC218		MMM-003	ALUMINIUM
Mr.COLOR SUPER METALLIC		METALLICS	
SM201		MMC-001	SUPER FINE SILVER

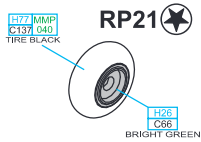




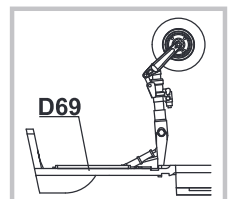
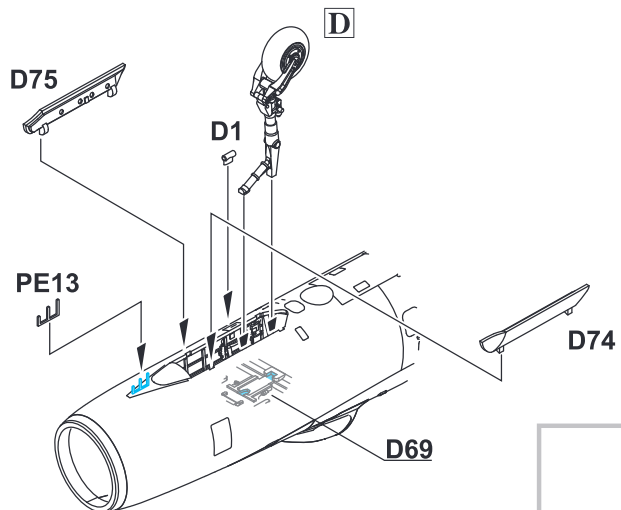
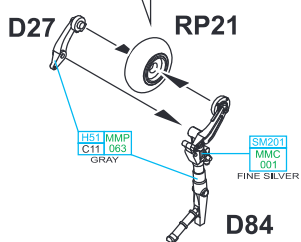




**eduard**  
**BRASSIN**



**D**

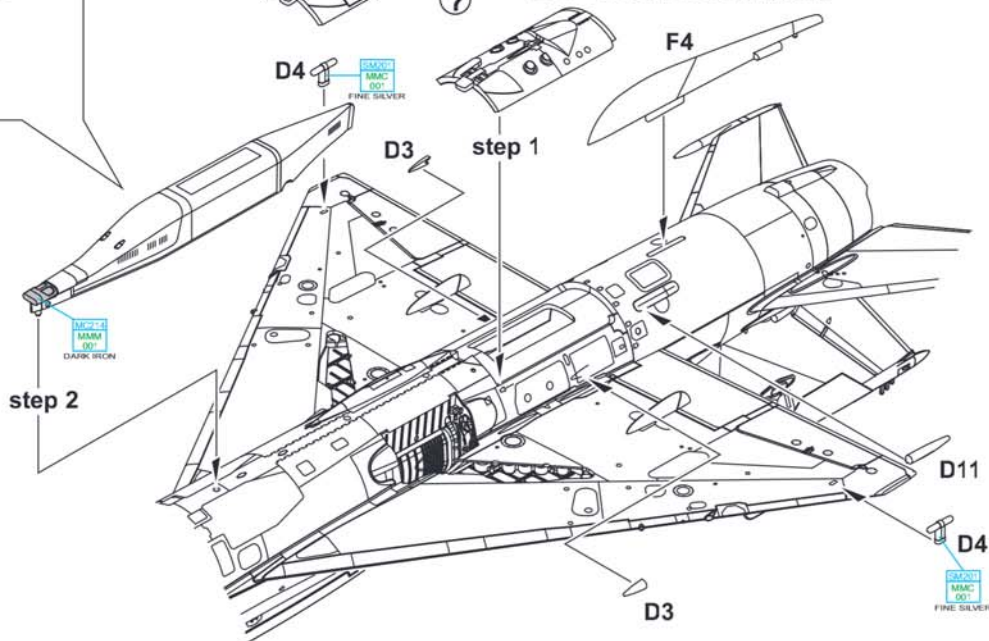




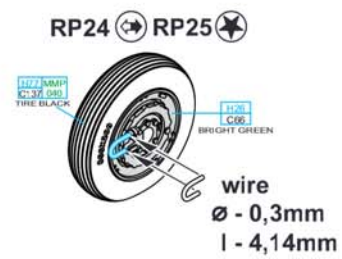
**CLOSED air brake D48**

**THE CLOSED AIRBRAKE (PART D48) MUST BE USED WHEN THE GP-9 GUN POD IS INSTALLED.**

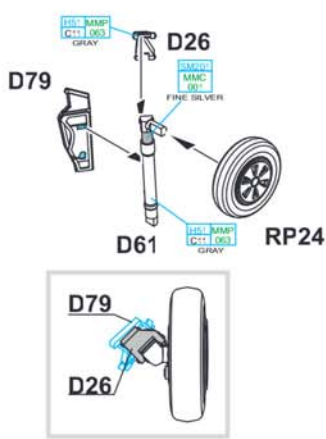
**D55 DEPLOYED air brake**



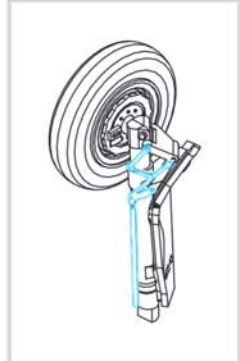
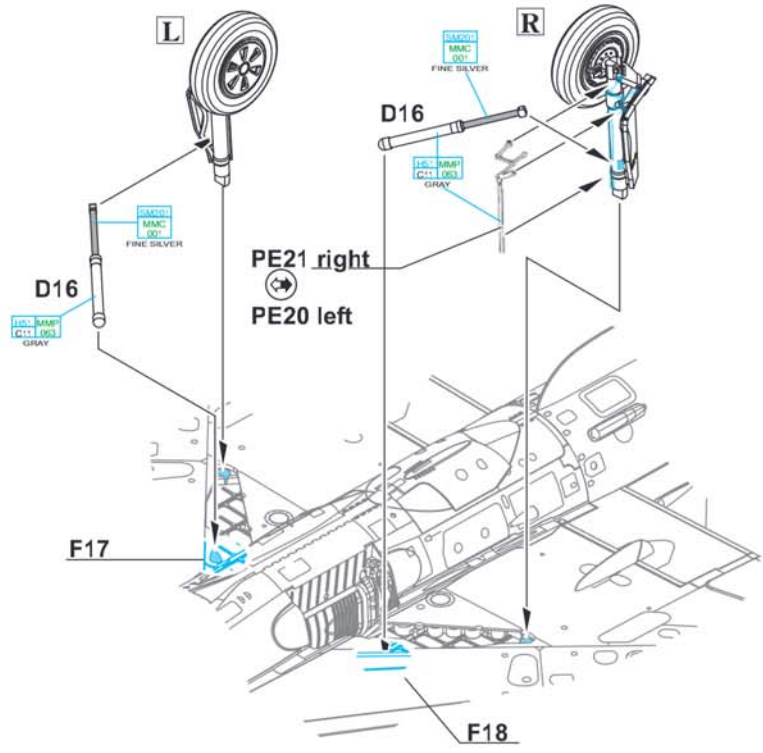
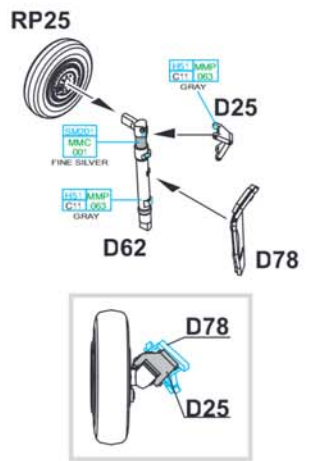
**eduard BRASSIN**

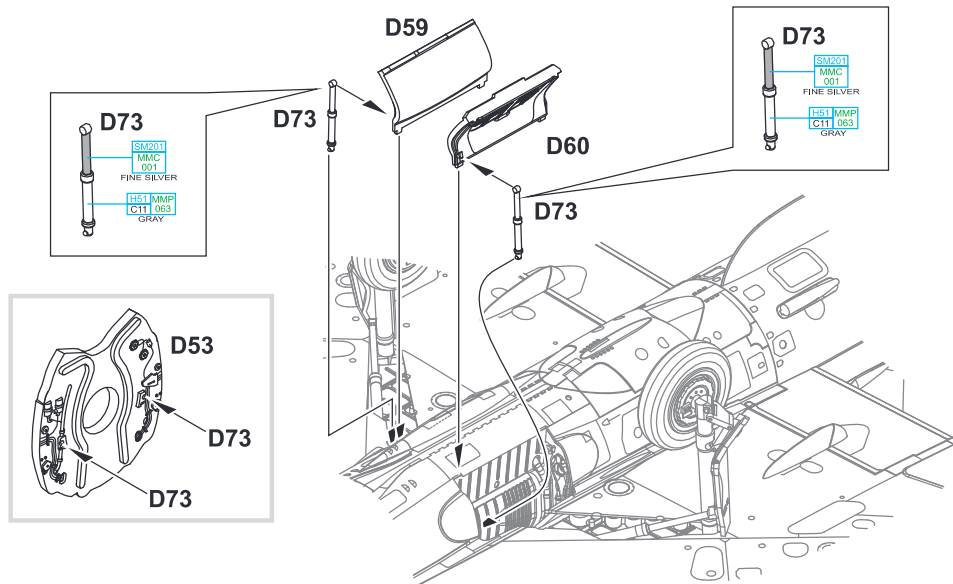


**L**



**R**

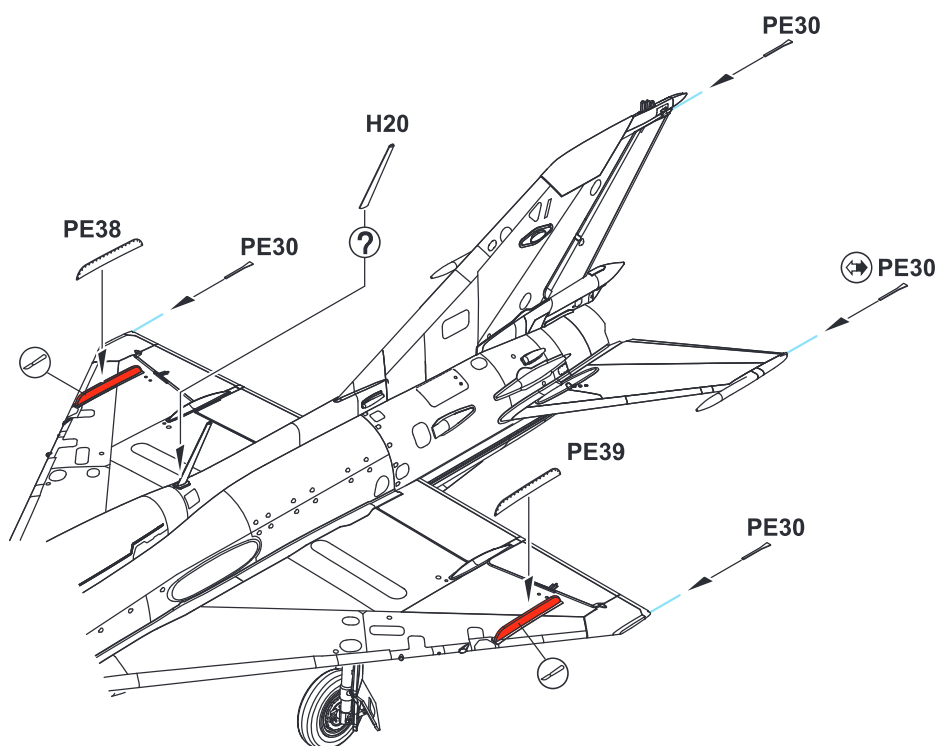
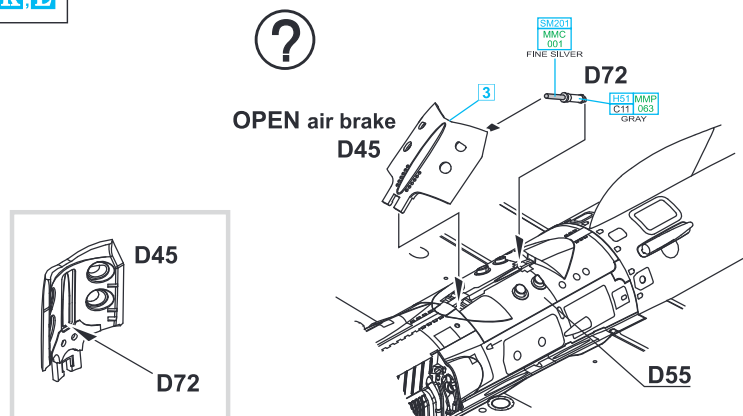




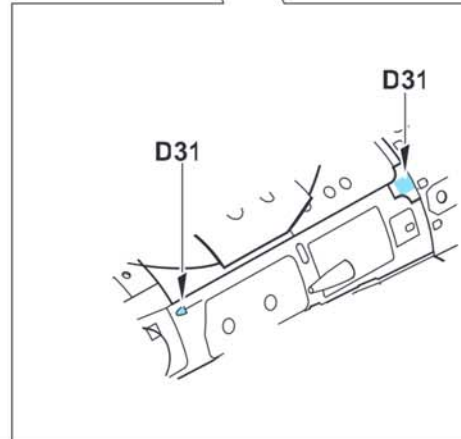
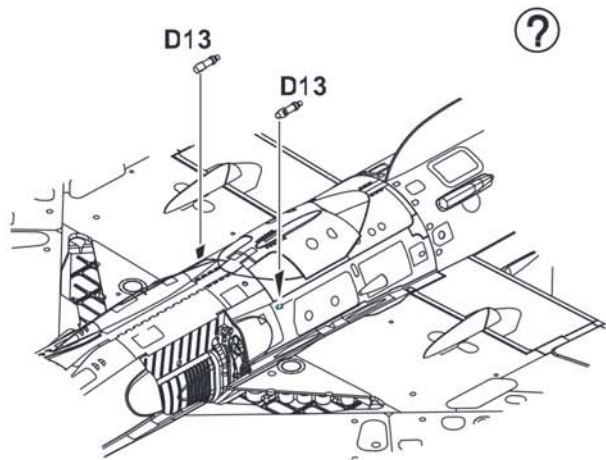
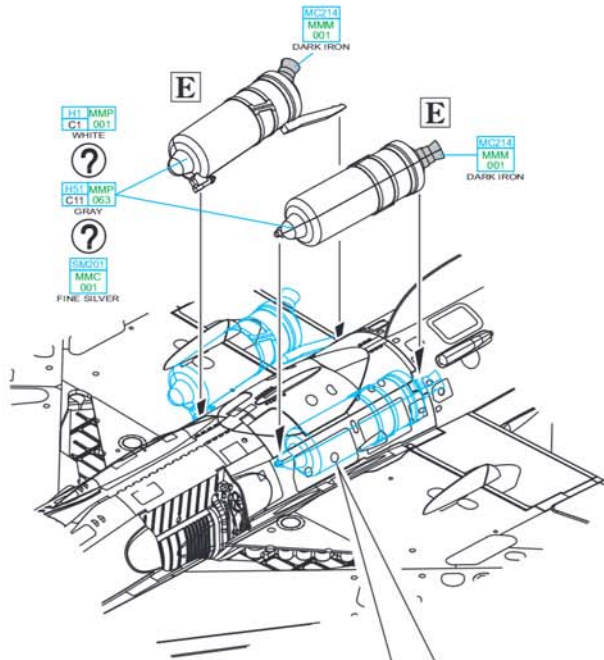
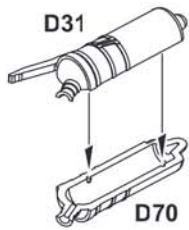
**3** = 

H51 MMP	C4 007	YELLOW
UNDERSURFACE COLOR		

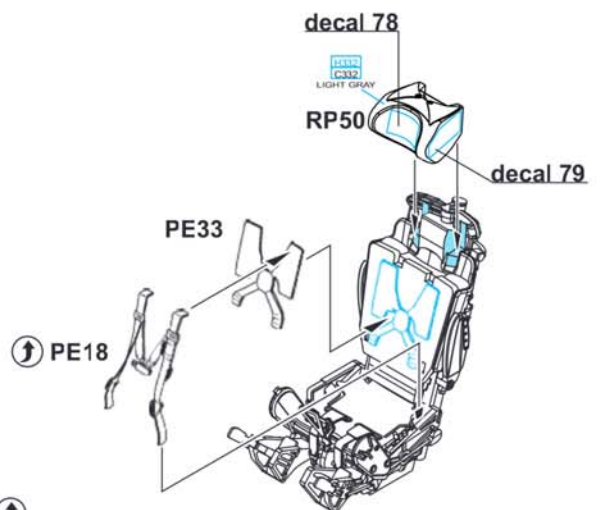
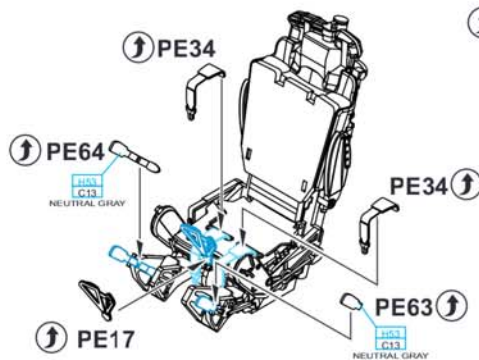
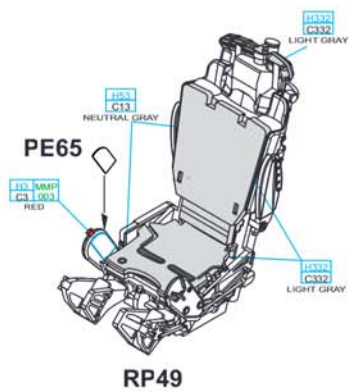
 - MARKINGS **J:M:N:O**  
 - MARKINGS **H:I:K:L**

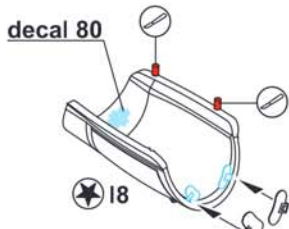
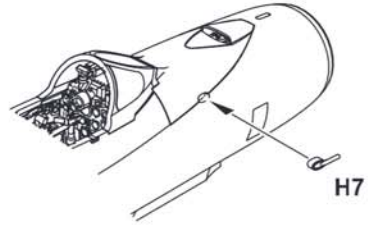
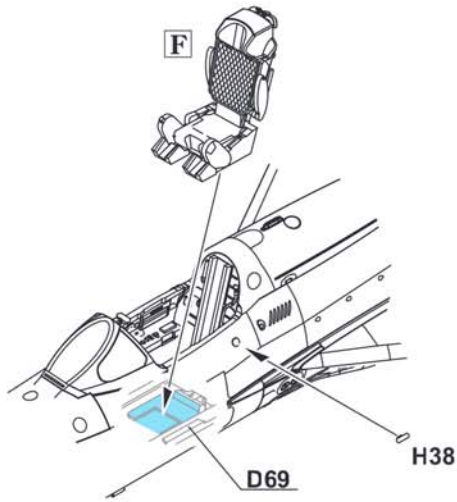


**E** 2 pcs.



**F** **eduard**  
**BRASSIN**

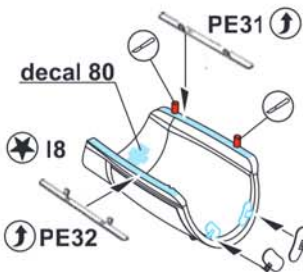
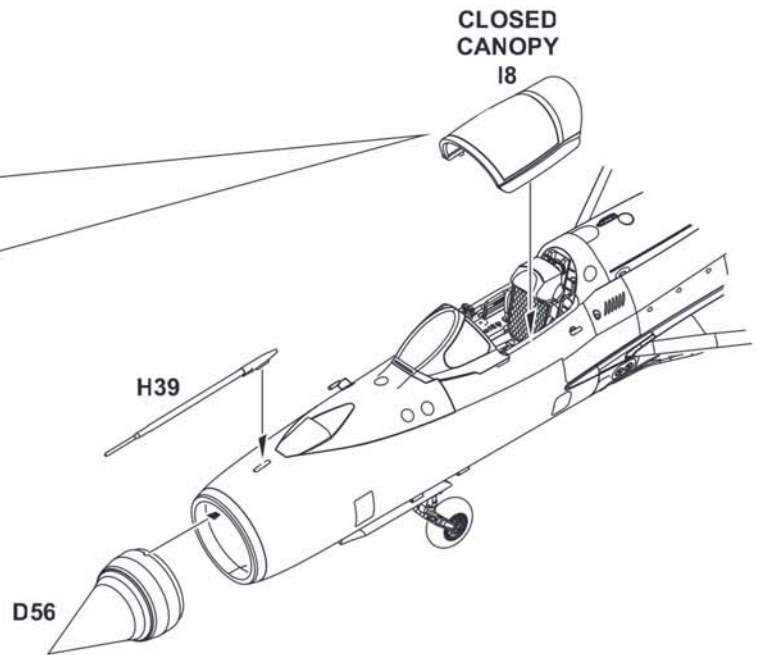




2 pcs. PE5 ? PE6 ↑

PE5 - MARKINGS	H	I	K	L
PE6 - MARKINGS	J	M	N	O

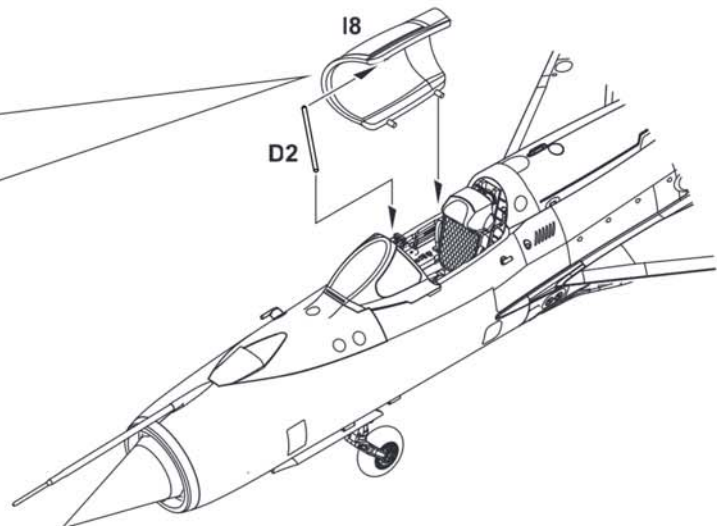
CLOSED CANOPY  
I8



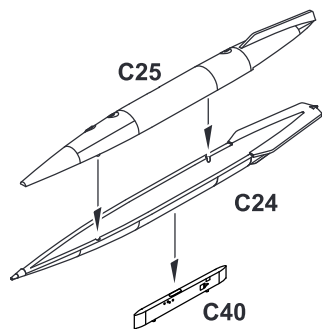
2 pcs. PE5 ? PE6 ↑

PE5 - MARKINGS	H	I	K	L
PE6 - MARKINGS	J	M	N	O

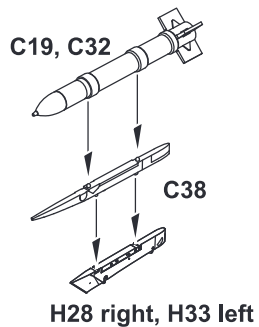
OPEN CANOPY



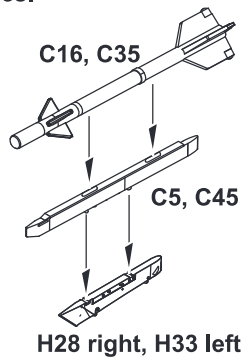
**EXTERNAL FUEL TANK 490 I  
PŘÍDAVNÁ NÁDRŽ 490 I**



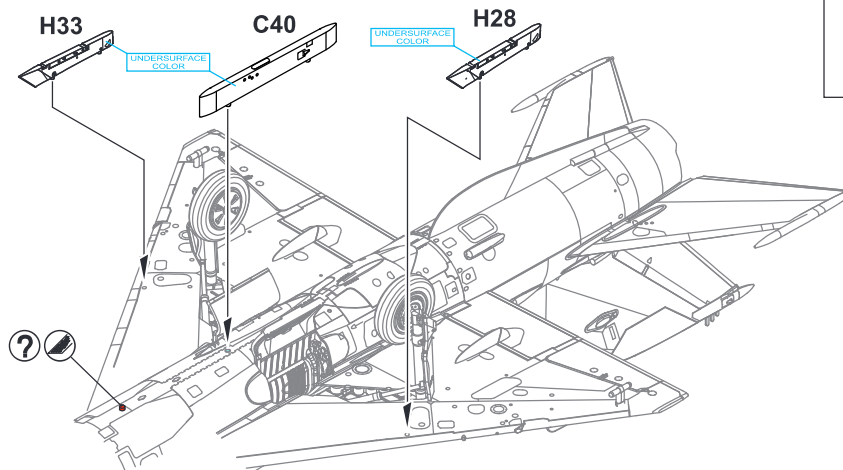
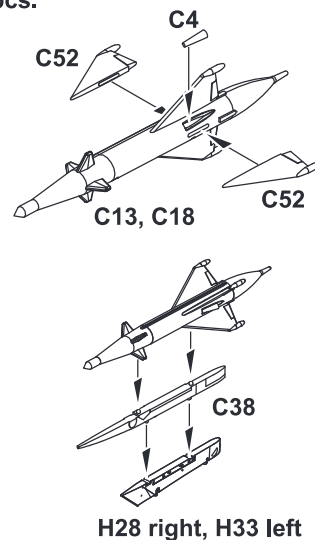
**S-24  
2 pcs.**



**R-3S  
2 pcs.**

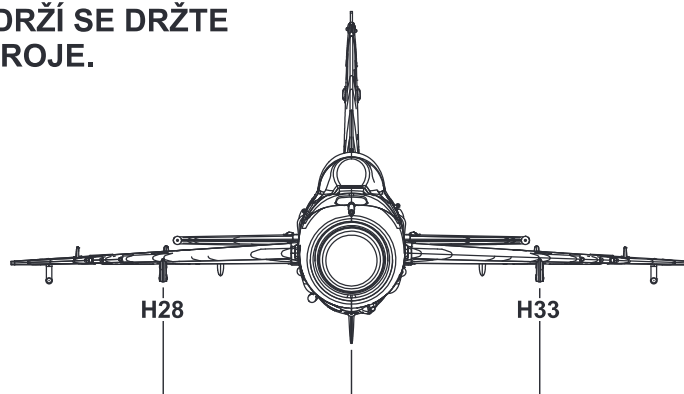


**RS-2US  
2 pcs.**



**TO CHOOSE WEAPON AND EXTERNAL FUEL TANK  
OPTION PLEASE FOLLOW YOUR REFERENCE.**

**PRO VOLBU VÝZBROJE A PŘÍDAVNÝCH NÁDRŽÍ SE DRŽTE  
DOKUMENTACE KONKRÉTNÍHO STROJE.**



**EXTERNAL  
FUEL  
TANK 490 I**

|| C40



**GP-9**



**2x RS-2US**

|| C38



|| C38



**2x R-3S**

|| C5



|| C45



**2x S-24**

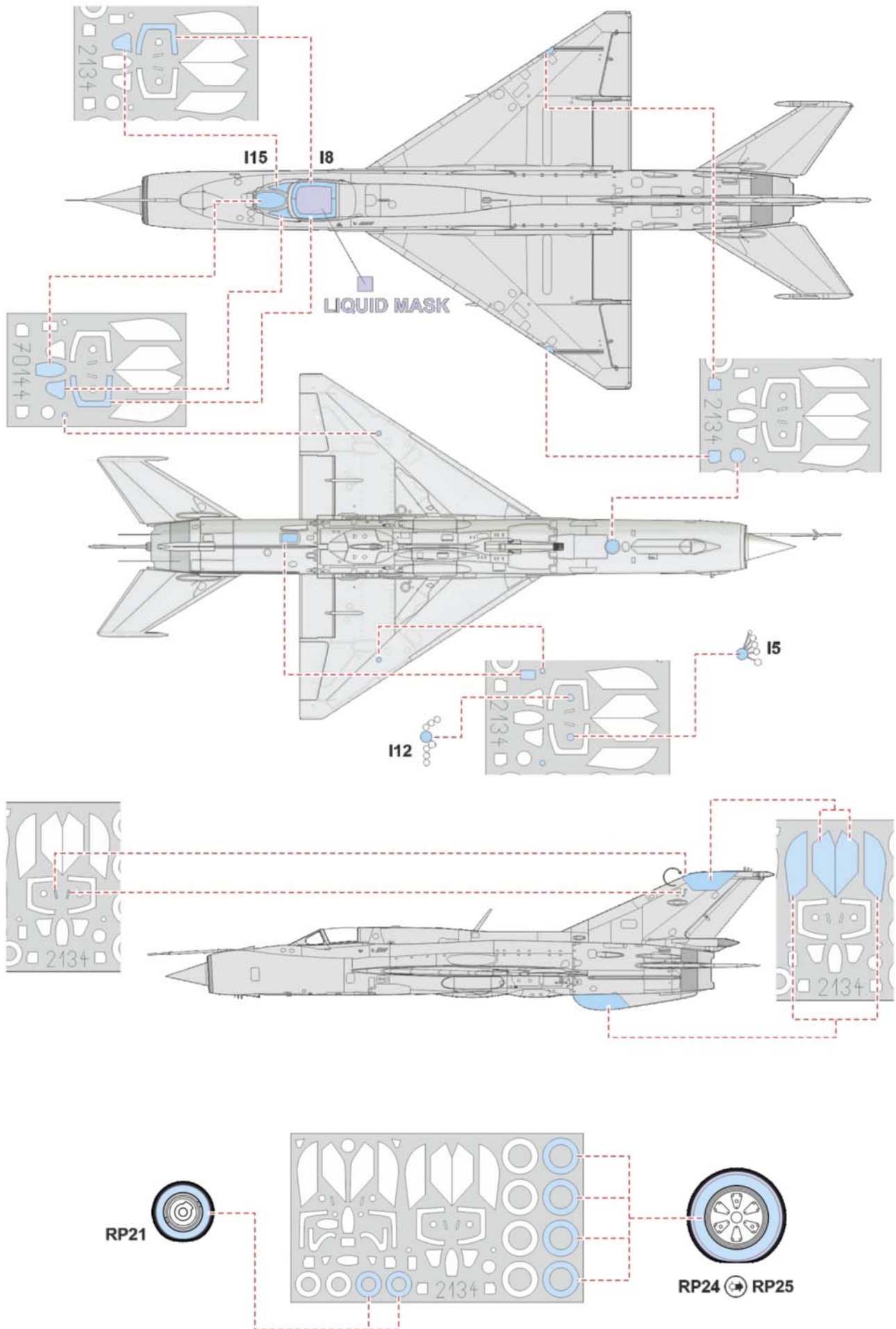
|| C38



|| C38

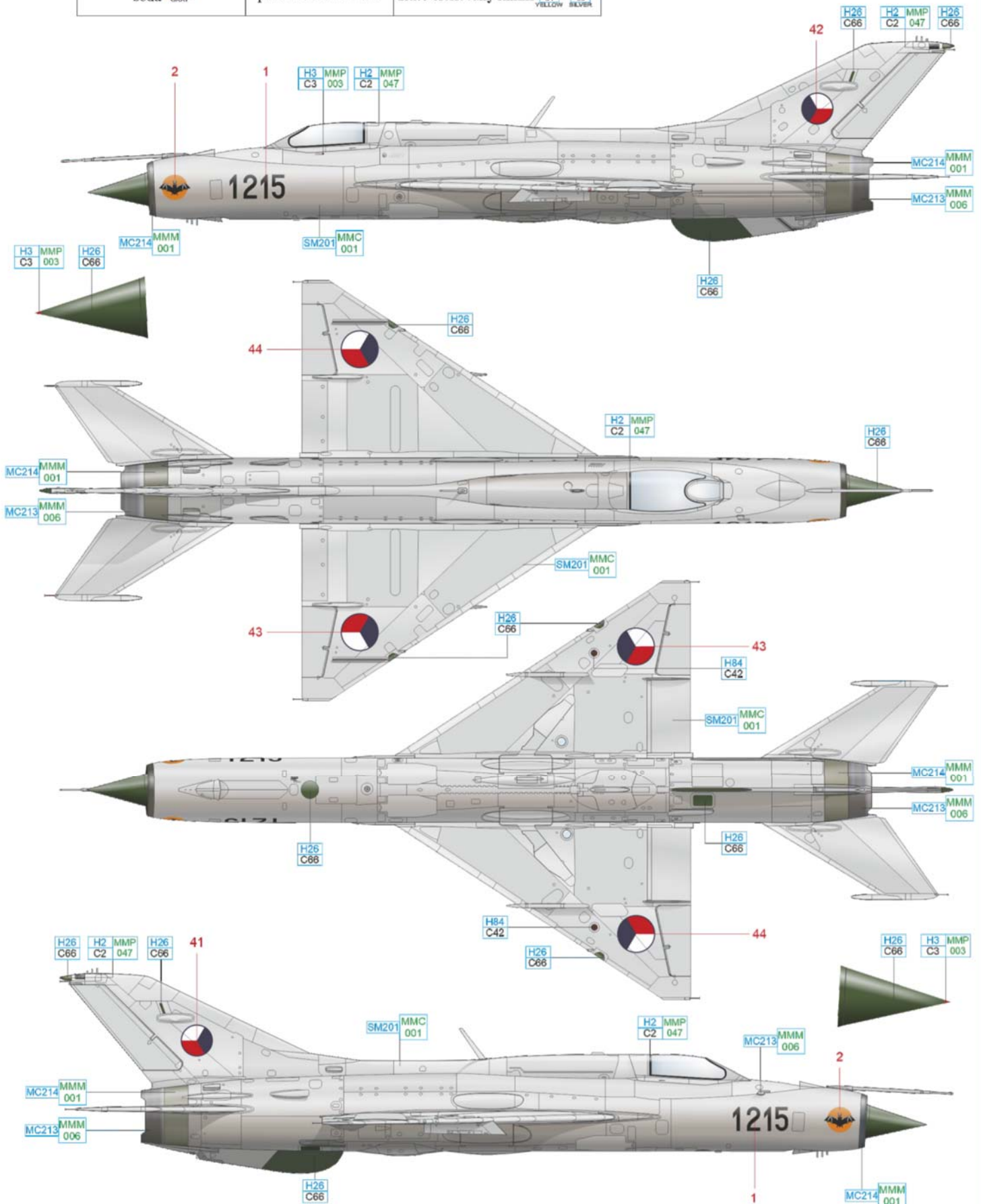


# MiG-21 PFM



**A** MiG-21PF, 1215, 2nd Squadron, 1st Fighter Air Regiment, Ceske Budejovice air base, 2nd half of 1968 – 1st half of 1969

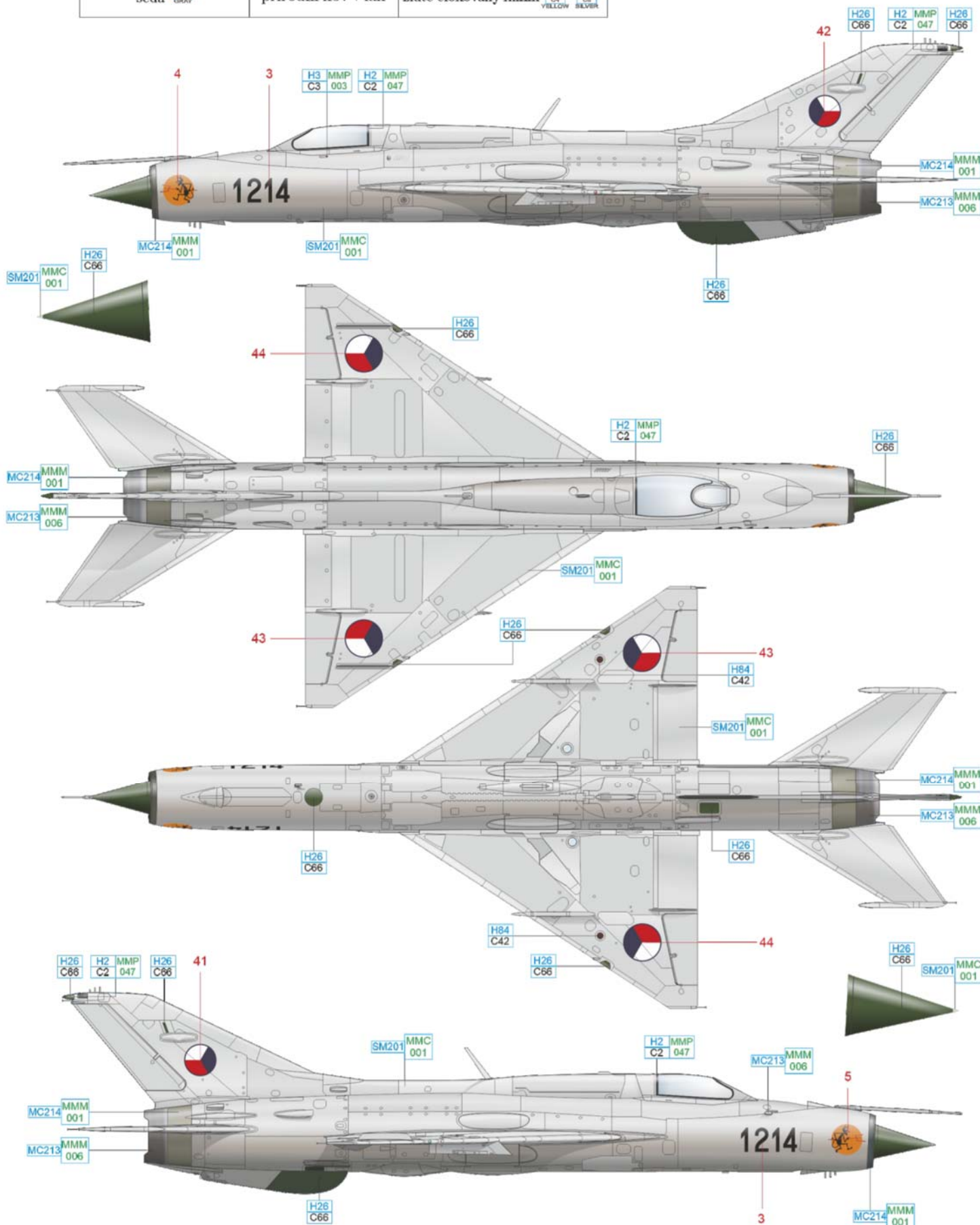
barva kabiny	barva povrchu	barva šachet
sedá <span style="border: 1px solid black; padding: 1px;">C306</span> GRAY	přírodní kov + lak	žlutě eloxovaný hliník <span style="border: 1px solid black; padding: 1px;">C4</span> YELLOW <span style="border: 1px solid black; padding: 1px;">C6</span> SILVER



<span style="background-color: #808080; padding: 2px;">STEEL</span> <span style="border: 1px solid black; padding: 1px;">MC213</span> <span style="border: 1px solid black; padding: 1px;">MMM</span> 006	<span style="background-color: #FF0000; padding: 2px;">RED</span> <span style="border: 1px solid black; padding: 1px;">H3</span> <span style="border: 1px solid black; padding: 1px;">MMP</span> <span style="border: 1px solid black; padding: 1px;">C3</span> 003	<span style="background-color: #D3D3D3; padding: 2px;">ALUMINIUM</span> <span style="border: 1px solid black; padding: 1px;">SM201</span> <span style="border: 1px solid black; padding: 1px;">MMC</span> 001
<span style="background-color: #2F4F4F; padding: 2px;">DARK IRON</span> <span style="border: 1px solid black; padding: 1px;">MC214</span> <span style="border: 1px solid black; padding: 1px;">MMM</span> 001	<span style="background-color: #000000; padding: 2px;">BLACK</span> <span style="border: 1px solid black; padding: 1px;">H2</span> <span style="border: 1px solid black; padding: 1px;">MMP</span> <span style="border: 1px solid black; padding: 1px;">C2</span> 047	<span style="background-color: #654321; padding: 2px;">DARK BROWN</span> <span style="border: 1px solid black; padding: 1px;">H84</span> <span style="border: 1px solid black; padding: 1px;">C42</span>
	<span style="background-color: #008000; padding: 2px;">GREEN</span> <span style="border: 1px solid black; padding: 1px;">H26</span> <span style="border: 1px solid black; padding: 1px;">C66</span>	

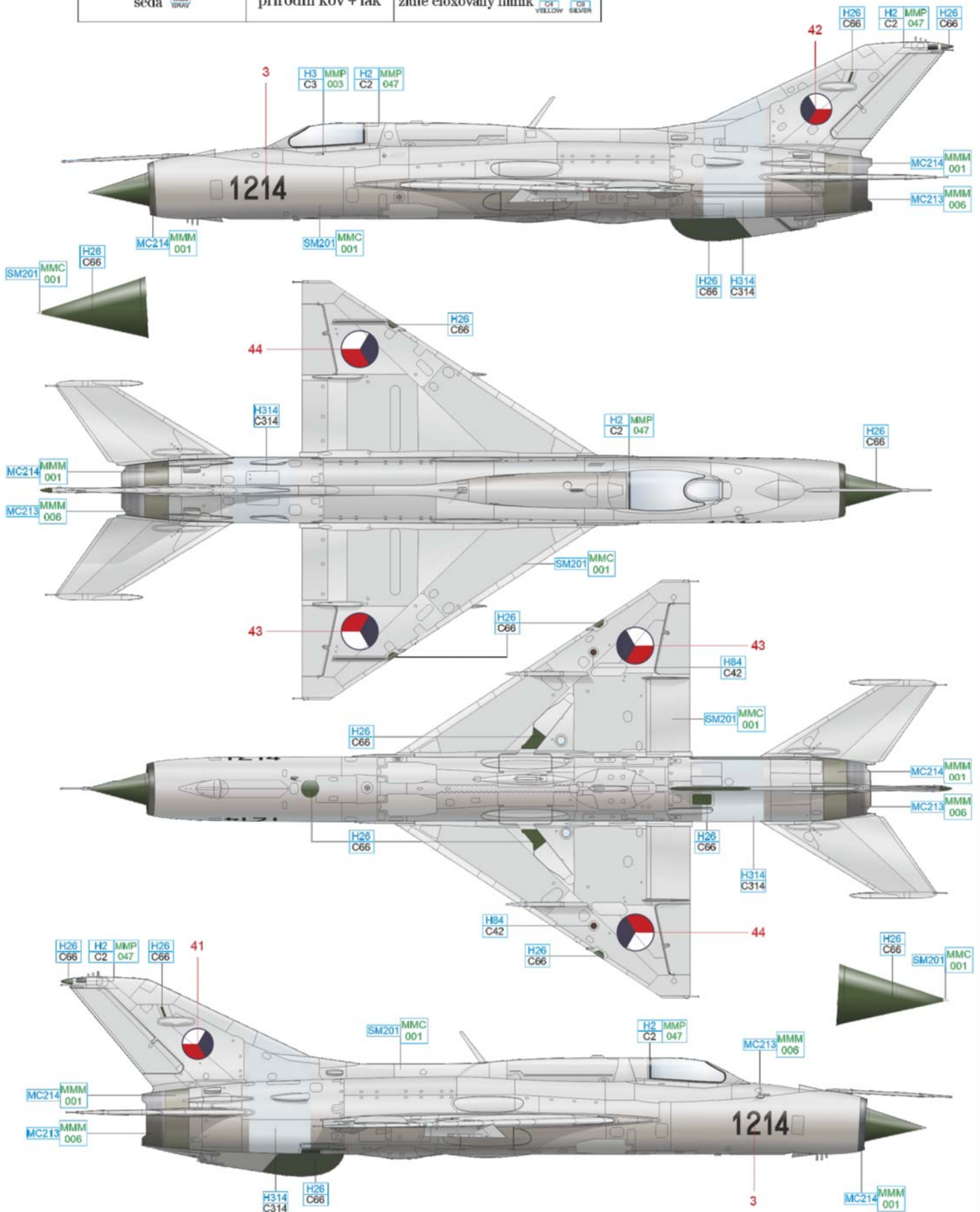
**B** MiG-21PF, 1214, 2nd Squadron, 1st Fighter Air Regiment, Ceske Budejovice air base, 2nd half of 1969 – 1st half of 1970

barva kabiny	barva povrchu	barva šachet
Sedá <span style="border: 1px solid black; padding: 1px;">C306</span> GRAY	přírodní kov + lak	žlutě eloxovaný hliník <span style="border: 1px solid black; padding: 1px;">10% + 90%</span> <span style="border: 1px solid black; padding: 1px;">C41</span> YELLOW <span style="border: 1px solid black; padding: 1px;">C61</span> SILVER



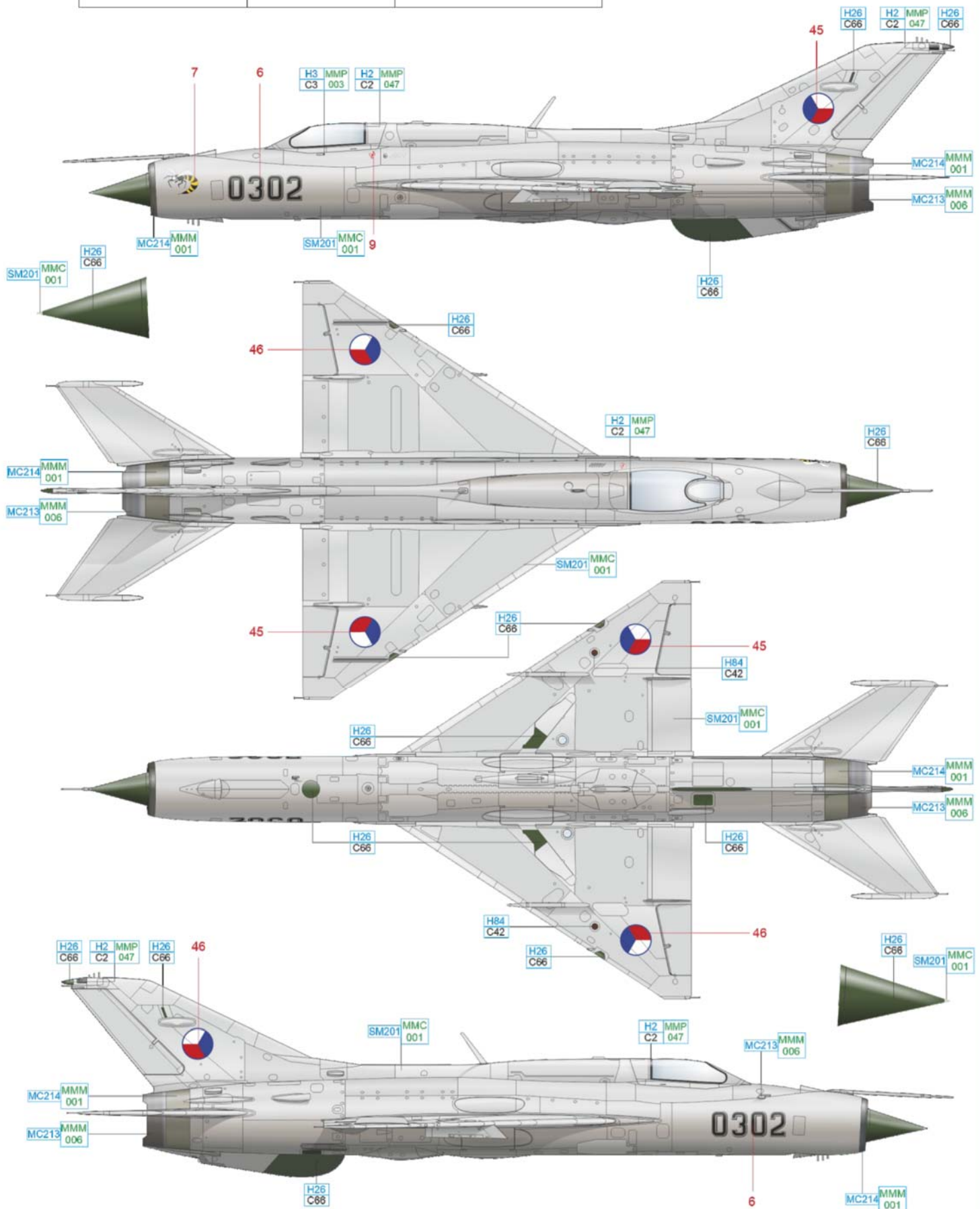
STEEL	<span style="border: 1px solid black; padding: 1px;">MC213</span> <span style="border: 1px solid black; padding: 1px;">MMM</span> 006	RED	<span style="border: 1px solid black; padding: 1px;">H3</span> <span style="border: 1px solid black; padding: 1px;">MMP</span> <span style="border: 1px solid black; padding: 1px;">C3</span> 003	ALUMINIUM	<span style="border: 1px solid black; padding: 1px;">SM201</span> <span style="border: 1px solid black; padding: 1px;">MMC</span> 001
DARK IRON	<span style="border: 1px solid black; padding: 1px;">MC214</span> <span style="border: 1px solid black; padding: 1px;">MMM</span> 001	BLACK	<span style="border: 1px solid black; padding: 1px;">H2</span> <span style="border: 1px solid black; padding: 1px;">MMP</span> <span style="border: 1px solid black; padding: 1px;">C2</span> 047	DARK BROWN	<span style="border: 1px solid black; padding: 1px;">H84</span> <span style="border: 1px solid black; padding: 1px;">C42</span>
				GREEN	<span style="border: 1px solid black; padding: 1px;">H26</span> <span style="border: 1px solid black; padding: 1px;">C66</span>

barva kabiny	barva povrchu	barva šachet
šedá <small>C30F DARK IRON</small>	přírodní kov + lak	žlutě eloxovaný hliník <small>10% + 90% C41 YELLOW C41 SILVER C41</small>



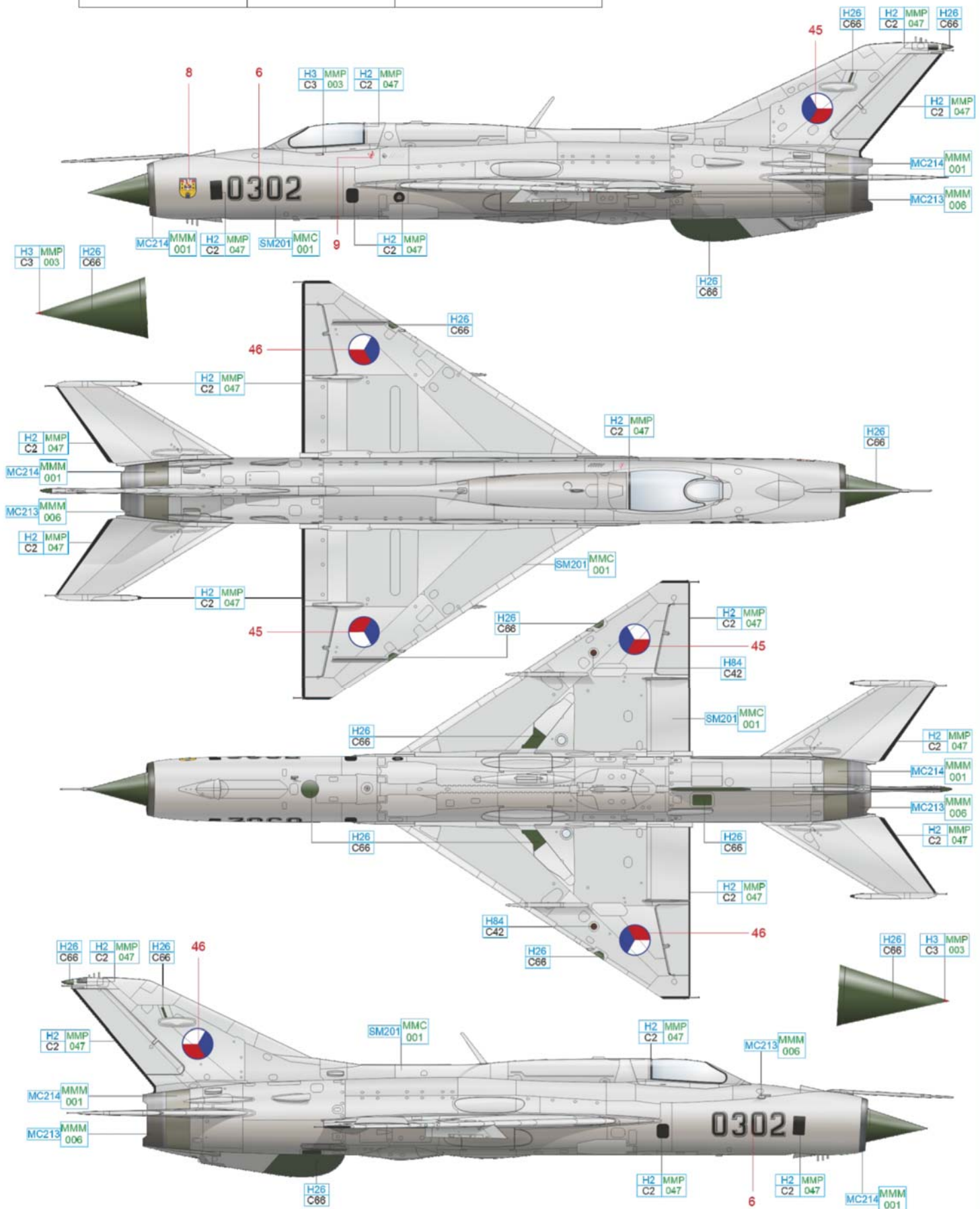
STEEL	MC213 MMM 006	RED	H3 C3 MMP 003	DARK BROWN	H84 C42	LIGHT BLUE	H314 C314
DARK IRON	MC214 MMM 001	BLACK	H2 C2 MMP 047	GREEN	H26 C66	ALUMINIUM	SM201 MMC 001

barva kabiny	barva povrchu	barva šachet
int. zelená <small>C391 INT. GREEN</small>	přírodní kov + lak	šedozelená <small>C312 GREEN</small>



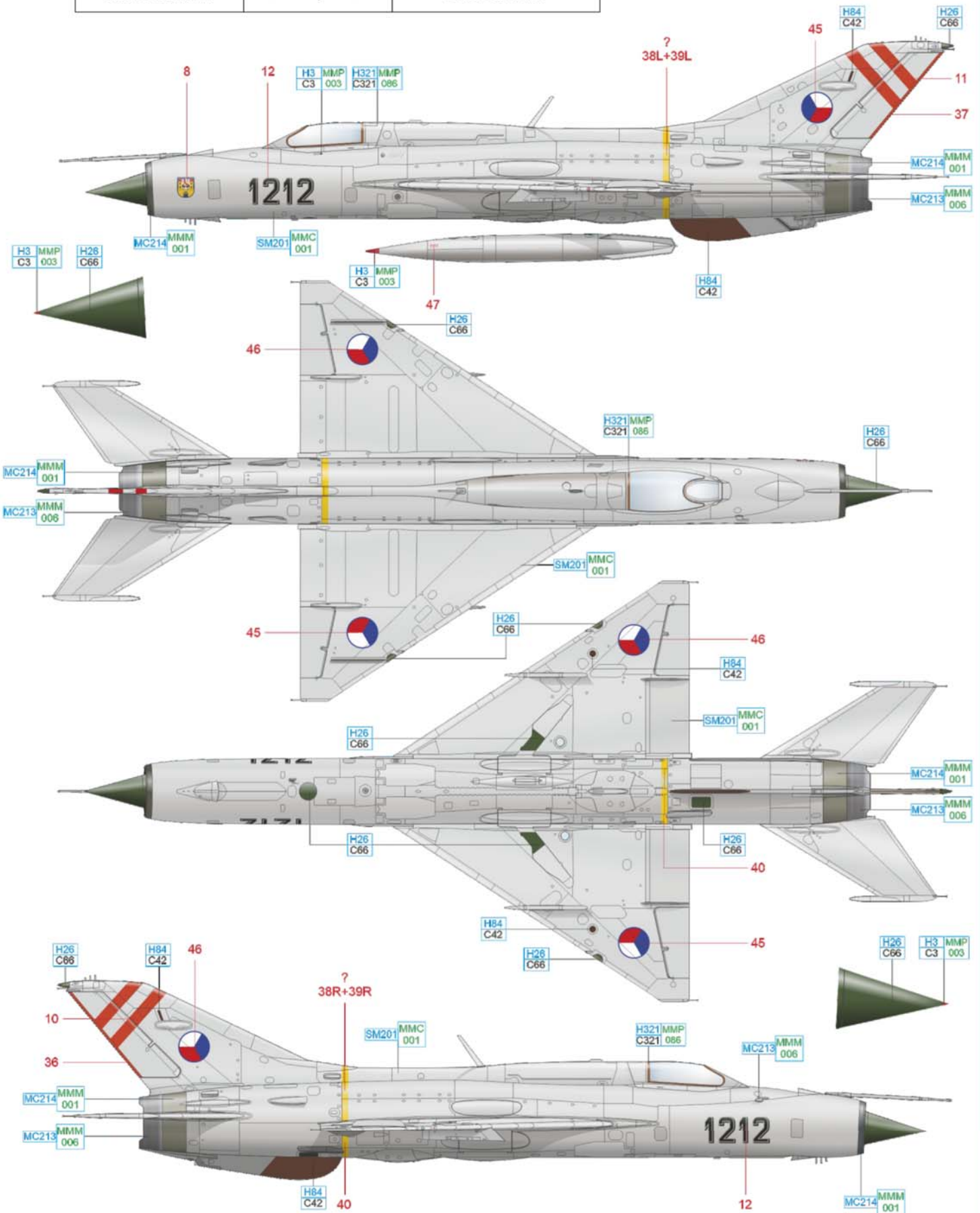
STEEL	MC213	MMM 006	RED	H3	MMP C3 003	ALUMINIUM	SM201	MMC 001
DARK IRON	MC214	MMM 001	BLACK	H2	MMP C2 047	DARK BROWN	H84	C42
						GREEN	H26	C66

barva kabiny	barva povrchu	barva šachet
int. zelená <small>C391 INT. GREEN</small>	přírodní kov + lak	šedozelená <small>C512 GREEN</small>



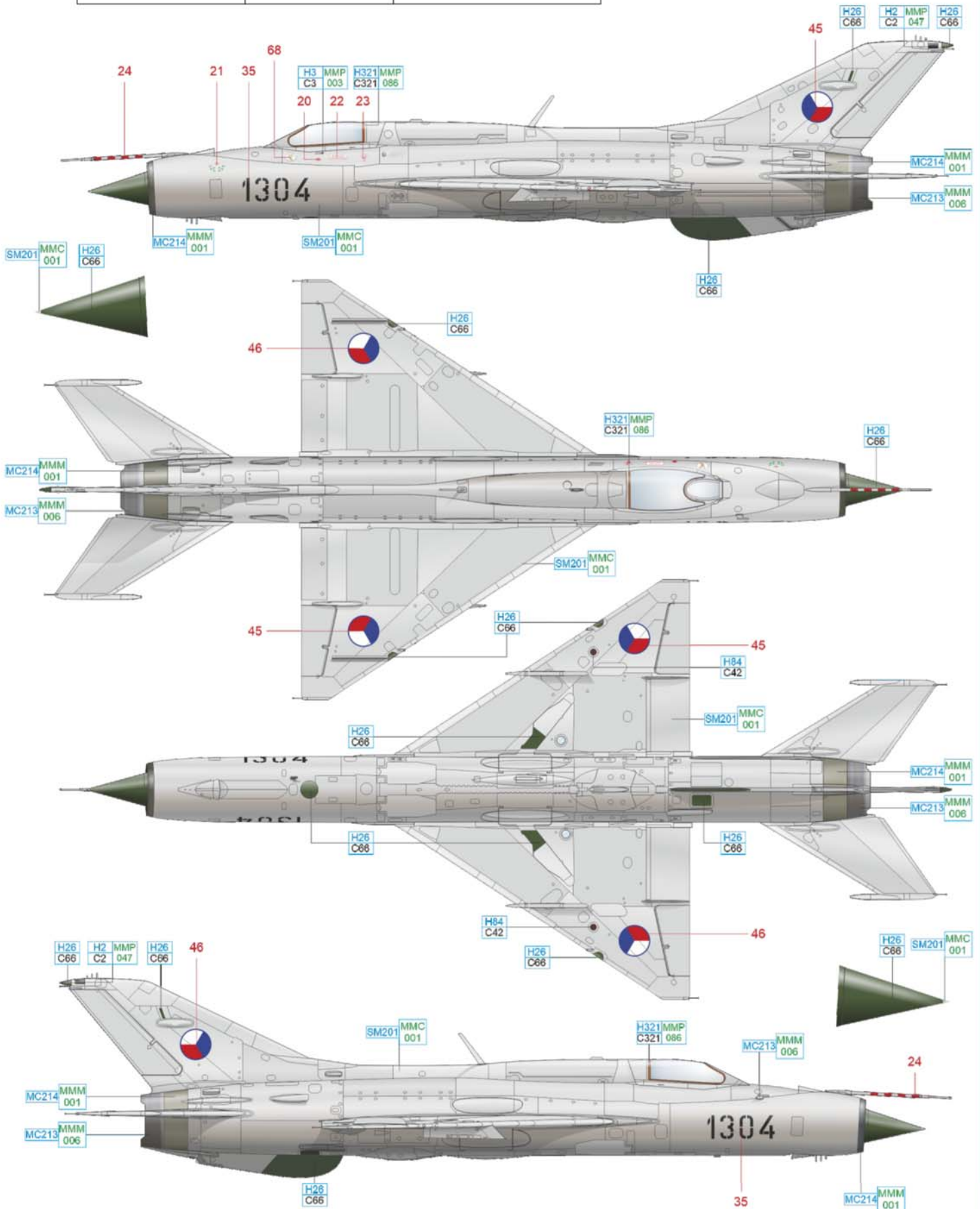
STEEL	MC213	MMM 006	RED	H3	MMP	C3	003	ALUMINIUM	SM201	MMC	001		
DARK IRON	MC214	MMM 001	BLACK	H2	MMP	C2	047	DARK BROWN	H84	C42	GREEN	H26	C66

barva kabiny	barva povrchu	barva šachet
int. zelená <small>C397 INT. GREEN</small>	stříbrný nátěr	šedozelená <small>C372 GREEN</small>



STEEL	<small>MC213</small> <small>MMM 006</small>	RED	<small>H3</small> <small>MMP C3</small> <small>003</small>	ALUMINIUM	<small>SM201</small> <small>MMC 001</small>
DARK IRON	<small>MC214</small> <small>MMM 001</small>	DARK BROWN	<small>H84</small> <small>C42</small>	GREEN	<small>H26</small> <small>C66</small>
	<small>MC213</small> <small>MMM 006</small>			LIGHT BROWN	<small>H321</small> <small>MMP C321</small> <small>086</small>

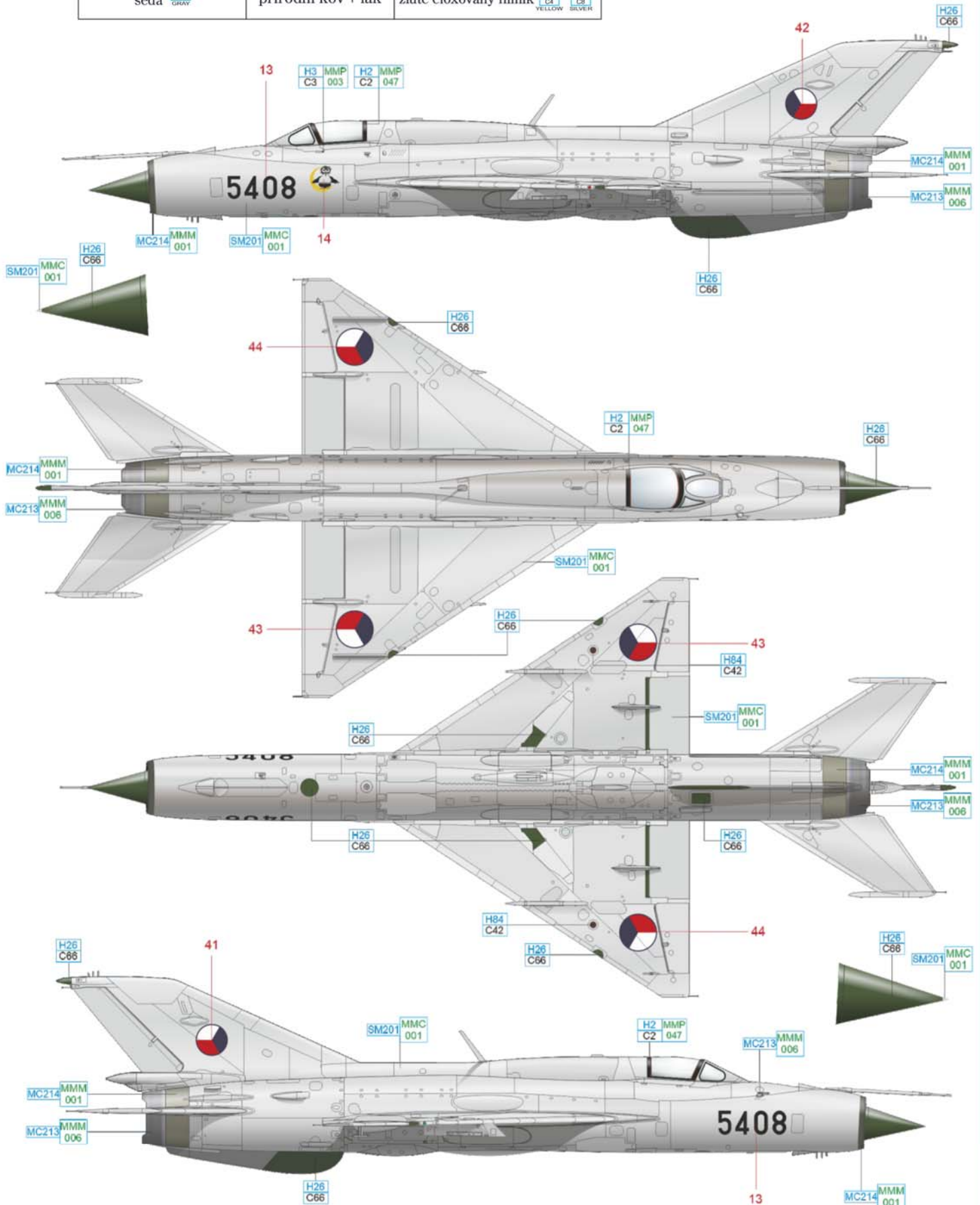
barva kabiny	barva povrchu	barva šachet
int. zelená <small>C397 INT. GREEN</small>	stříbrný nátěr	šedá <small>C60 GRAY</small>



STEEL	MC213	MMM	006	RED	H3	MMP	C3	003	ALUMINIUM	SM201	MMC	001							
DARK IRON	MC214	MMM	001	BLACK	H2	MMP	C2	047	DARK BROWN	H84	C42	GREEN	H26	C66	LIGHT BROWN	H321	MMP	C321	086

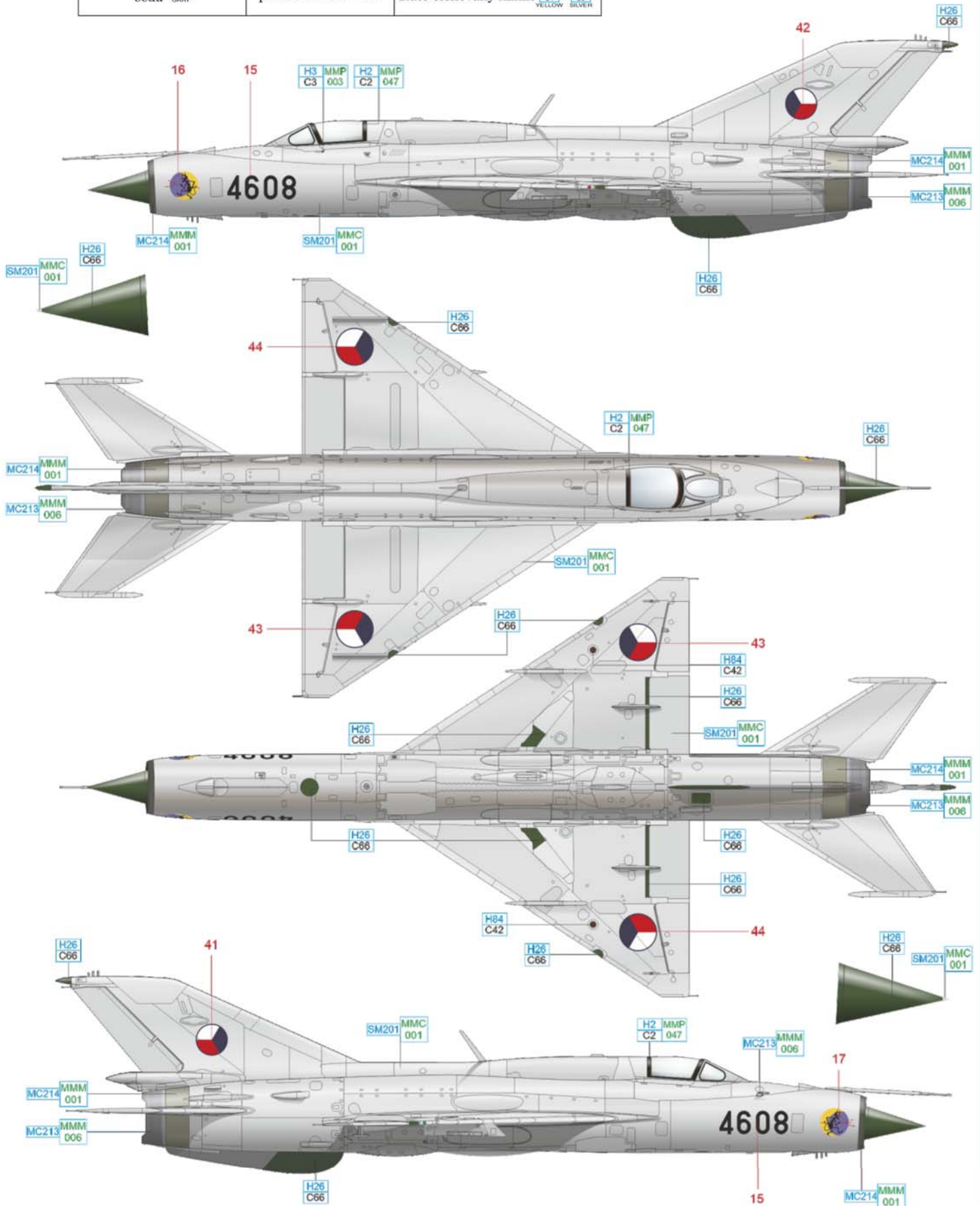
**H** MiG-21PFM, 5408, 3rd Squadron, 1st Fighter Air Regiment, Ceske Budejovice air base, 2nd half of 1968 – 1st half of 1969

barva kabiny	barva povrchu	barva šachet
šedá <small>C308 GRAY</small>	přírodní kov + lak	žlutě eloxovaný hliník <small>10% + 90%</small> <small>C4 YELLOW C6 SILVER</small>



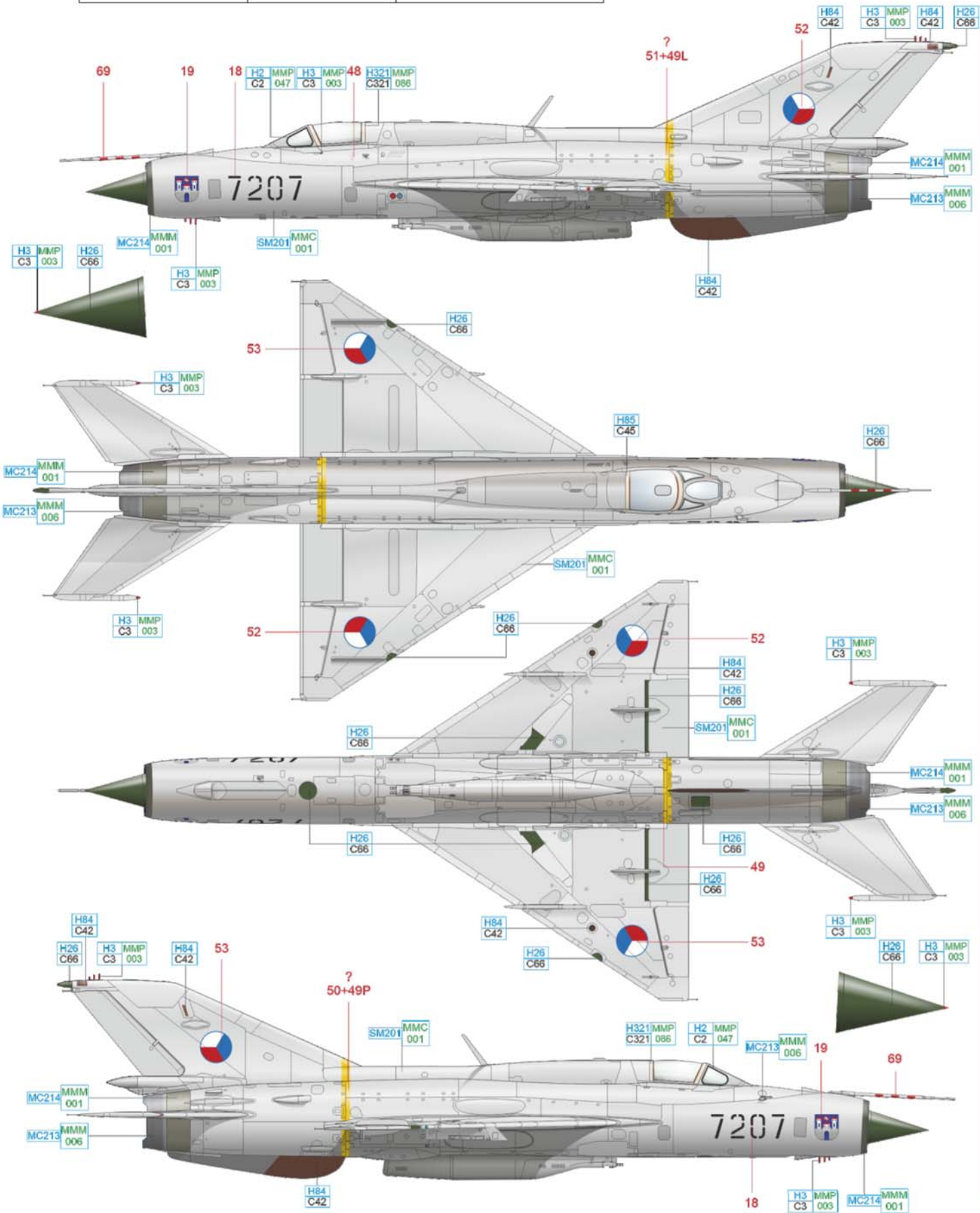
STEEL	<small>MC213</small>	<small>MMM 006</small>	RED	<small>H3 C3</small>	<small>MMP 003</small>	ALUMINIUM	<small>SM201</small>	<small>MMC 001</small>	
DARK IRON	<small>MC214</small>	<small>MMM 001</small>	BLACK	<small>H2 C2</small>	<small>MMP 047</small>	DARK BROWN	<small>H84 C42</small>	GREEN	<small>H26 C66</small>

barva kabiny	barva povrchu	barva šachet
šedá <span style="border: 1px solid black; padding: 1px;">C300 GRAY</span>	přírodní kov + lak	žlutě eloxovaný hliník <span style="border: 1px solid black; padding: 1px;">10% + 90% C4 YELLOW C5 SILVER</span>



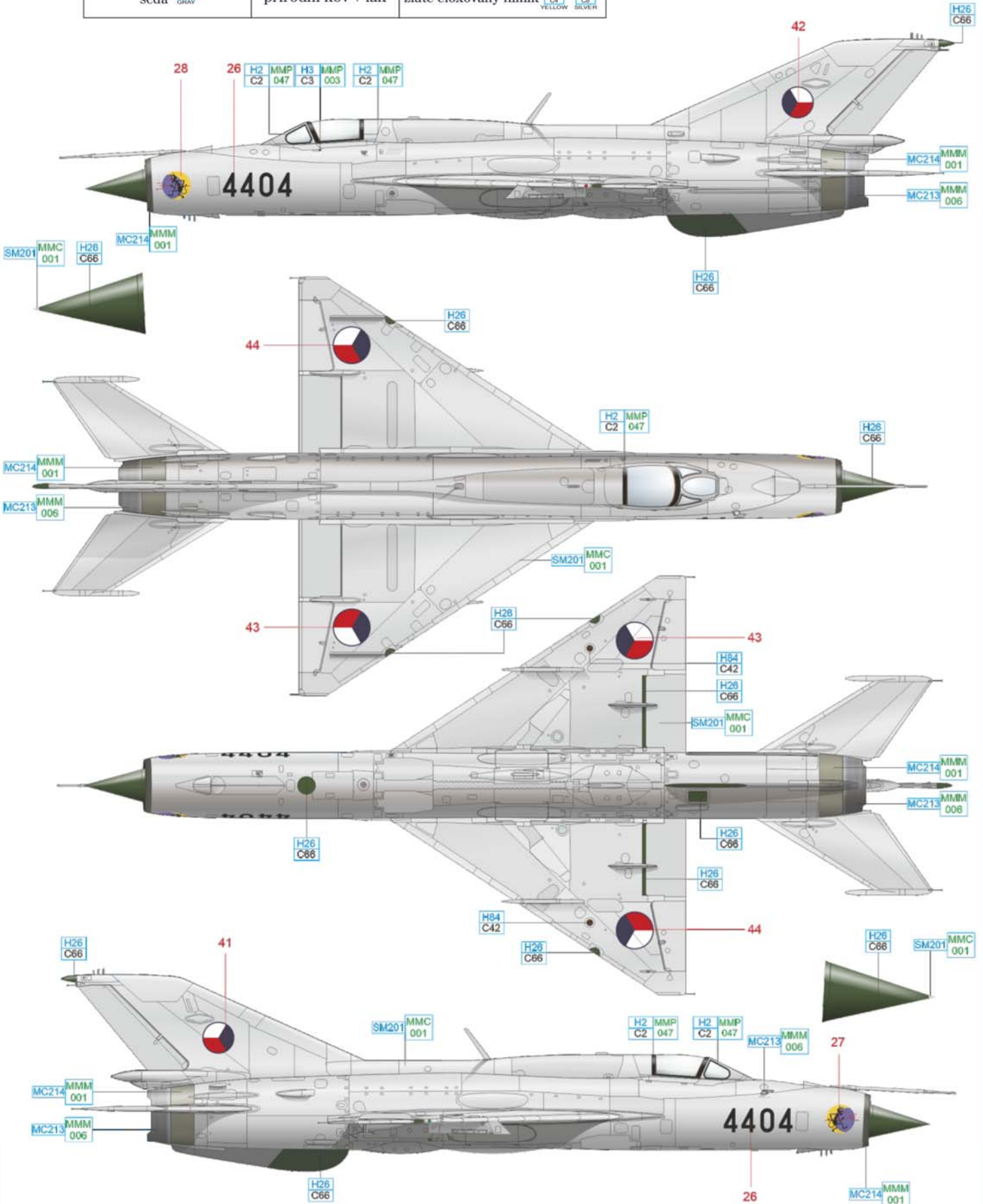
STEEL <span style="border: 1px solid black; padding: 1px;">MC213</span>	RED <span style="border: 1px solid black; padding: 1px;">H3 MMP C3 003</span>	ALUMINIUM <span style="border: 1px solid black; padding: 1px;">SM201 MMC 001</span>
DARK IRON <span style="border: 1px solid black; padding: 1px;">MC214</span>	BLACK <span style="border: 1px solid black; padding: 1px;">H2 MMP C2 047</span>	DARK BROWN <span style="border: 1px solid black; padding: 1px;">H84 C42</span>
		GREEN <span style="border: 1px solid black; padding: 1px;">H26 C66</span>

barva kabiny	barva povrchu	barva šachet
int. zelená <small>C397 INT. GREEN</small>	přírodní kov + lak	šedozelená <small>C372 GREEN</small>



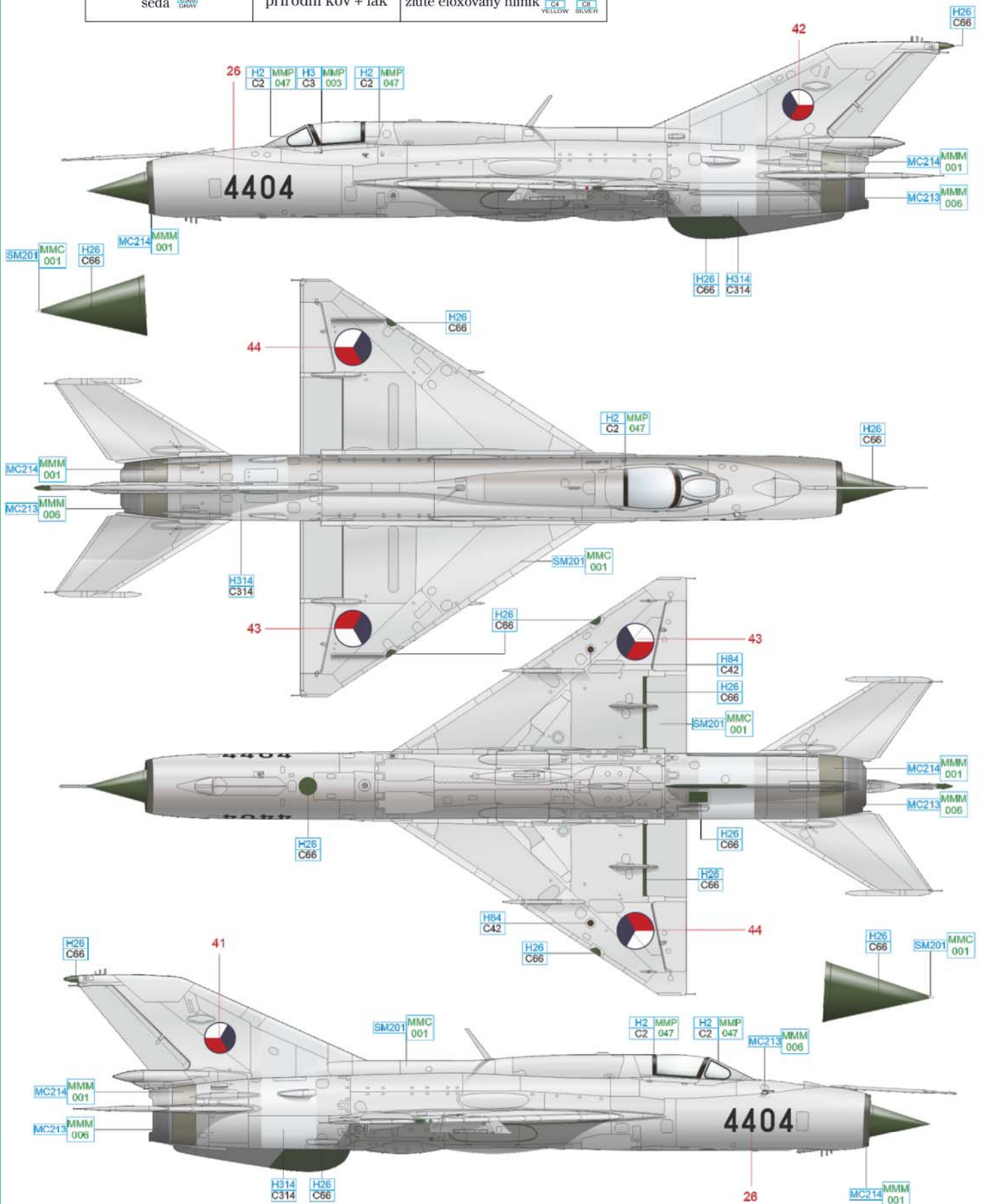
<b>STEEL</b>	<small>MC213</small>	<small>MMM 006</small>	<b>RED</b>	<small>H3</small>	<small>MMP C3 003</small>	<b>ALUMINIUM</b>	<small>SM201</small>	<small>MMC 001</small>
<b>DARK IRON</b>	<small>MC214</small>	<small>MMM 001</small>	<b>BLACK</b>	<small>H2</small>	<small>MMP C2 047</small>	<b>DARK BROWN</b>	<small>H84</small>	<small>C42</small>
				<b>GREEN</b>	<small>H26</small>		<small>C66</small>	<b>LIGHT BROWN</b>
					<small>H85</small>	<small>MMP C45 086</small>		

barva kabiny	barva povrchu	barva šachet
Sedá <span>C308 GRAY</span>	přírodní kov + lak	žlutě eloxovaný hliník <span>10% + 90%</span> <span>C4 YELLOW</span> <span>C9 SILVER</span>



STEEL	<span>MC213</span> <span>MMM 006</span>	RED	<span>H3</span> <span>MMP C3</span> <span>MMP 003</span>	ALUMINIUM	<span>SM201</span> <span>MMC 001</span>
DARK IRON	<span>MC214</span> <span>MMM 001</span>	BLACK	<span>H2</span> <span>MMP C2</span> <span>MMP 047</span>	DARK BROWN	<span>H84</span> <span>C42</span>
				GREEN	<span>H26</span> <span>C66</span>

barva kabiny	barva povrchu	barva šachet
šedá <span style="border: 1px solid black; padding: 1px;">C308 GRAY</span>	přírodní kov + lak	žlutě eloxovaný hliník <span style="border: 1px solid black; padding: 1px;">10% + 90% C4 YELLOW C8 SILVER</span>

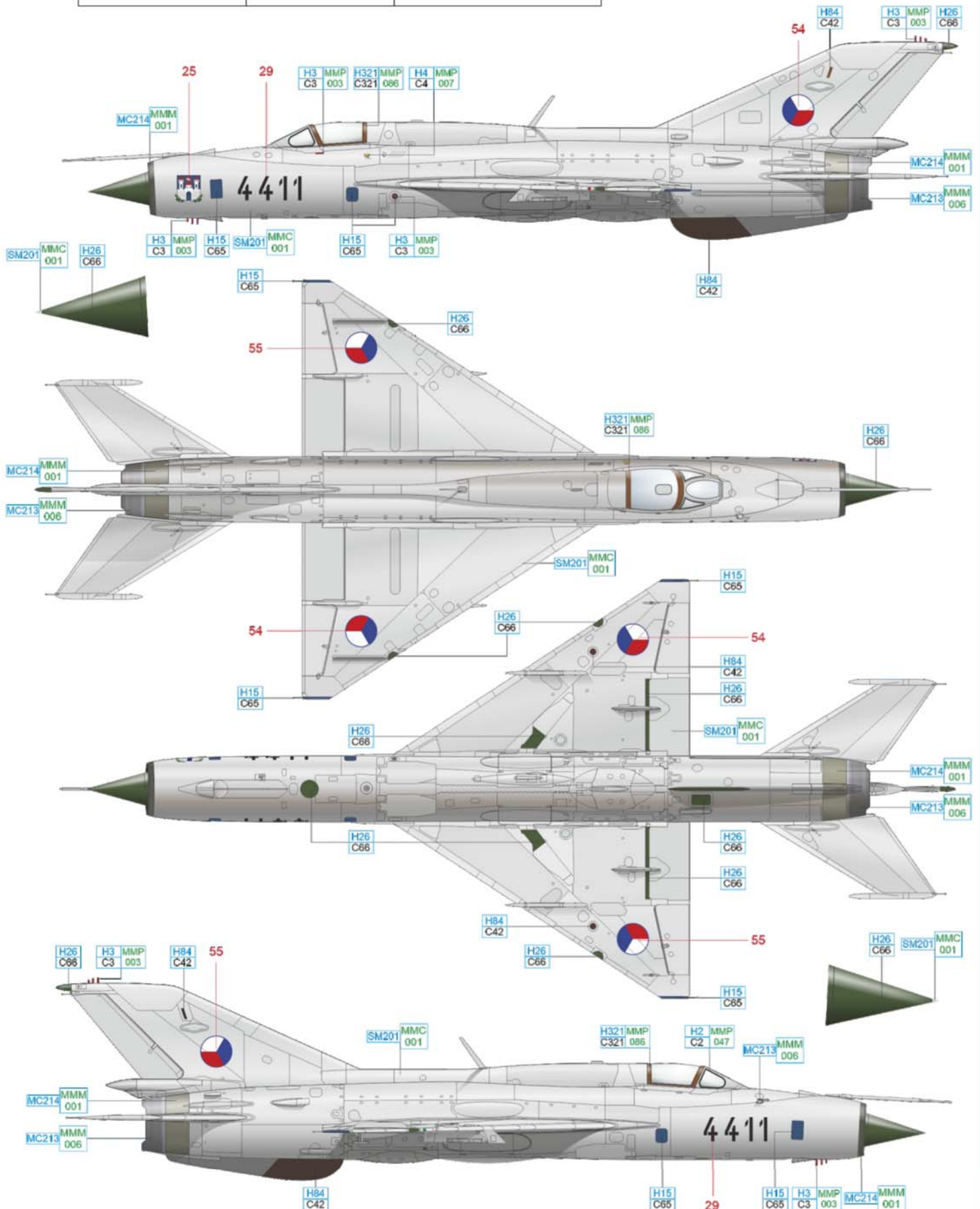


<span style="background-color: black; color: white; padding: 2px;">STEEL</span> <span style="border: 1px solid black; padding: 1px;">MC213</span> <span style="border: 1px solid black; padding: 1px;">MMM 006</span>	<span style="background-color: red; color: white; padding: 2px;">RED</span> <span style="border: 1px solid black; padding: 1px;">H3</span> <span style="border: 1px solid black; padding: 1px;">MMP C3</span> <span style="border: 1px solid black; padding: 1px;">003</span>	<span style="background-color: lightblue; color: black; padding: 2px;">LIGHT BLUE</span> <span style="border: 1px solid black; padding: 1px;">H314</span> <span style="border: 1px solid black; padding: 1px;">C314</span>	<span style="background-color: gray; color: black; padding: 2px;">ALUMINIUM</span> <span style="border: 1px solid black; padding: 1px;">SM201</span> <span style="border: 1px solid black; padding: 1px;">MMC 001</span>
<span style="background-color: darkgray; color: white; padding: 2px;">DARK IRON</span> <span style="border: 1px solid black; padding: 1px;">MC214</span> <span style="border: 1px solid black; padding: 1px;">MMM 001</span>	<span style="background-color: black; color: white; padding: 2px;">BLACK</span> <span style="border: 1px solid black; padding: 1px;">H2</span> <span style="border: 1px solid black; padding: 1px;">MMP C2</span> <span style="border: 1px solid black; padding: 1px;">047</span>	<span style="background-color: darkbrown; color: white; padding: 2px;">DARK BROWN</span> <span style="border: 1px solid black; padding: 1px;">H84</span> <span style="border: 1px solid black; padding: 1px;">C42</span>	<span style="background-color: green; color: white; padding: 2px;">GREEN</span> <span style="border: 1px solid black; padding: 1px;">H26</span> <span style="border: 1px solid black; padding: 1px;">C66</span>





barva kabiny	barva povrchu	barva šachet
int. zelená <small>C391 INT. GREEN</small>	přírodní kov + lak	šedá <small>C60 GRAY</small>



STEEL	<small>MC213</small> <small>MMM 006</small>	RED	<small>H3</small> <small>MMP C3 003</small>	GREEN	<small>H26</small> <small>C66</small>	YELLOW	<small>H4</small> <small>MMP C4 007</small>	BLUE	<small>H15</small> <small>C65</small>
DARK IRON	<small>MC214</small> <small>MMM 001</small>	BLACK	<small>H2</small> <small>MMP C2 047</small>	DARK BROWN	<small>H84</small> <small>C42</small>	LIGHT BROWN	<small>H321</small> <small>MMP C321 086</small>	ALUMINIUM	<small>SM201</small> <small>MMC 001</small>

